



**DKS** Steel Door & Frame Systems, Inc.

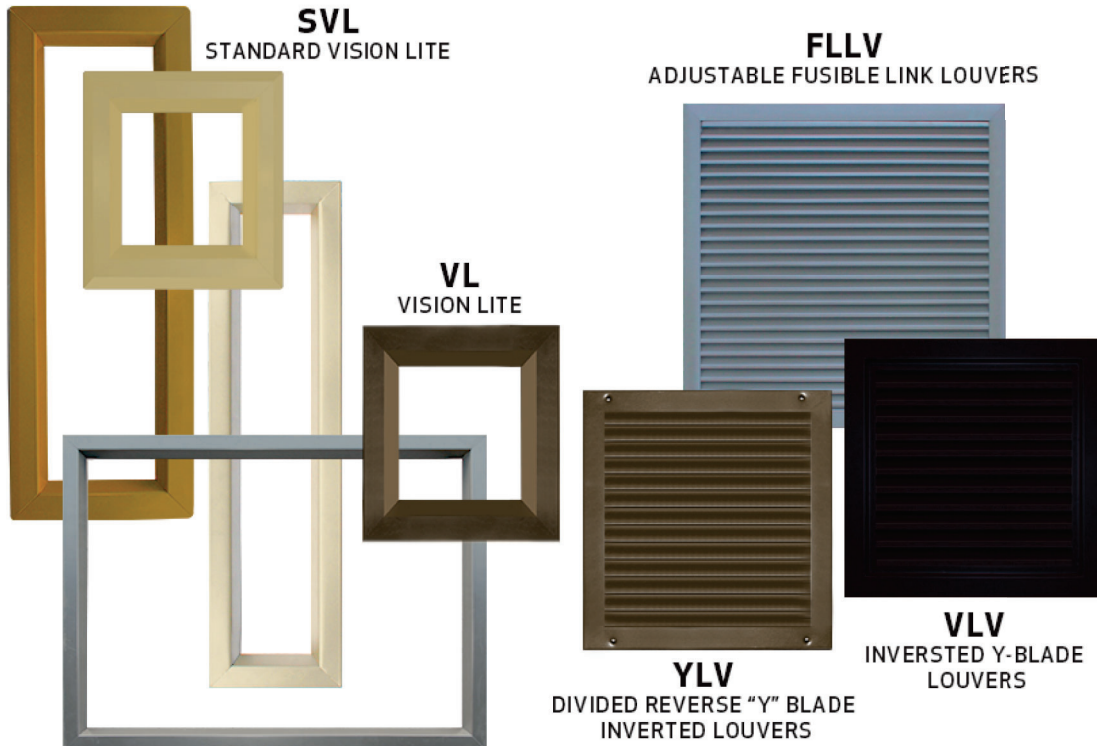


# **RAPID SHIP** **PROGRAM**

RAPID SHIPPING OF STOCK AND CUSTOM SIZE LITES  
AND LOUVERS WITH STANDARD AND CUSTOM  
COLORS.

**VL, SVL, LITES**  
AVAILABLE NOW FOR  
CUSTOM **SIZES AND FINISHES**

**LOUVERS**  
ARE AVAILABLE FOR CUSTOM **FINISHES**



# COLOR CHART

**STANDARD COLOR**

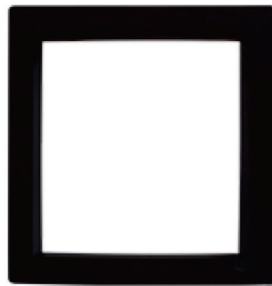


**DARK BRONZE (DB)**

**CUSTOM COLORS**



**SEMI GLOSS BLACK (BK)**



**FLAT BLACK (FBK)**



**BRASS (BRA)**



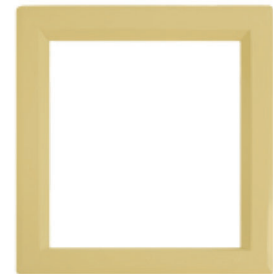
**SILVER (SI)**



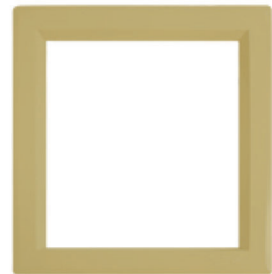
**WHITE (W)**



**SAND (S)**



**SC BEIGE (SC)**



**AMS BEIGE (AB)**



**GREY (GRY)**



**Email your orders to**

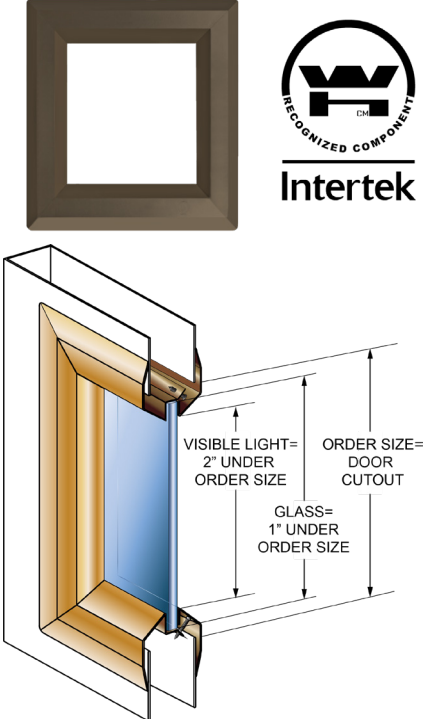
[sales@dksdoors.com](mailto:sales@dksdoors.com)

**or FAX us toll free**

**1-323-888-0063**

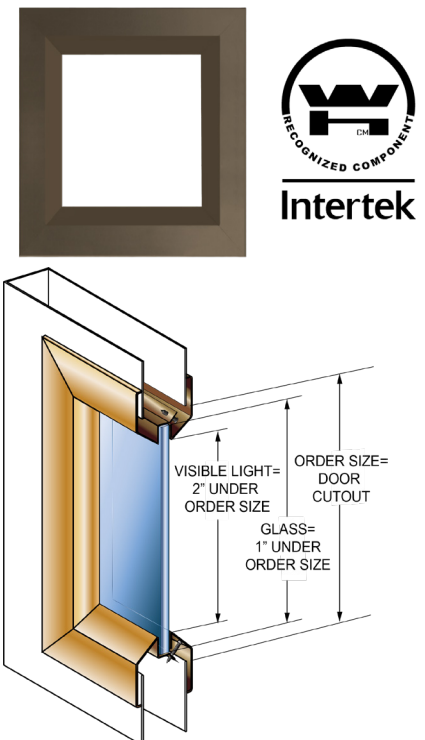
## 20-180 Minute Fire-Rated Steel Vision Kits\*

### SVL , Vision Lite Low Profile

ILLUSTRATION	SPECIFICATIONS
 <p><b>Intertek</b> RECOGNIZED COMPONENT</p>	<p>For use in fire rated door applications under positive and neutral pressure. Intertek testing certification in compliance to NFPA 252 (2000), UL 10C (2009), CAN / ULS104 (2010), NFPA (201) and CSI CODE 0870 00.</p> <p><b>Specifications:</b></p> <ul style="list-style-type: none"> <li>- Low Profile Beveled Vision Lite; 20 Gauge Cold Rolled Steel</li> <li>- Mitered welded corners with counter sunk mounting holes</li> <li>- Single side attaching with matching mounting screws included</li> <li>- Designed for use with 1 3/4" doors only. For use with 3/16" to 1/4" glass thickness</li> <li>- Color: <b>Dark Bronze (DB)</b>; also available in <b>Grey (PR - Prime Coat)</b> in selected sizes only</li> <li>- <b>Custom colors available, see color chart on page 1.</b></li> <li>- Fastener: # 8 x 7/8" flathead phillips head SMS</li> </ul> <p><b>Kit Options:</b></p> <ul style="list-style-type: none"> <li>- Also available as a KIT or bundle which comes with the Frame, Glass and Glazing Tape.</li> <li>- Available glass types are Fire Rated Pyran® Platinum F Glass (3/16"), TEMP20 (1/4"), PROTECT3™ Wired Safety Glass (1/4"), and Non-Fire Rated Tempered (1/4").</li> </ul> <p><b>Notes:</b></p> <ul style="list-style-type: none"> <li>- Order size is equal to opening size. Visible vision opening is 2" under order size</li> <li>- Glass size dimension is 1" under complete order size</li> <li>- Dimensions are written width (W) x height (H)</li> <li>* Refer to price list for list of fire rated sizes</li> <li>* <b>Custom sizes are available. See price list.</b></li> </ul>

### VL , Vision Lite Standard Profile for 3/16" to 1/4" Thick Glass Frames

### 10VL , Vision Lite Standard Profile for 1" Thick Glass Frames

ILLUSTRATION	SPECIFICATIONS
 <p><b>Intertek</b> RECOGNIZED COMPONENT</p>	<p>For use in fire rated door applications under positive and neutral pressure. Intertek testing certification in compliance to NFPA 252 (2000), UL 10C (2009), CAN/ULS104 (2010), NFPA (201) and CSI CODE 0870 00.</p> <p><b>Specifications:</b></p> <ul style="list-style-type: none"> <li>- Standard Profile Beveled Vision Lite; 20 Gauge Cold Rolled Steel</li> <li>- Mitered welded corners with counter sunk mounting holes</li> <li>- Single side attaching with matching mounting screws included</li> <li>- Also available for 1" glass thickness (10VL Series)</li> <li>- Designed for use with 1 3/4" doors only; For use with 3/16" to 1/4" glass thickness</li> <li>- Color: <b>Dark Bronze (DB)</b>; also available in <b>Grey (PR - Prime Coat)</b> in selected sizes only</li> <li>- <b>Custom colors available, see color chart on page 1.</b></li> <li>- Fastener: # 8 x 7/8" flathead phillips head SMS</li> </ul> <p><b>Kit Options:</b></p> <ul style="list-style-type: none"> <li>- Also available as a KIT or bundle which comes with the Frame, Glass and Glazing Tape.</li> <li>- Available glass types are Fire Rated Pyran® Platinum F Glass (3/16"), TEMP20 (1/4"), PROTECT3™ Wired Safety Glass (1/4"), and Non-Fire Rated Tempered (1/4").</li> </ul> <p><b>Notes:</b></p> <ul style="list-style-type: none"> <li>- Order size is equal to opening size, Glass size dimension is 1" under complete order size</li> <li>- Visible vision opening is 2" under order size</li> <li>- Dimensions are written width (W) x height (H)</li> <li>* Refer to price list for list of fire rated sizes</li> <li>* <b>Custom sizes are available. See price list.</b></li> </ul>

## 90 Minute Fire-Rated Steel Louvers\*

### YLV, Divided Reverse "Y" Blade, Inverted Louvers

ILLUSTRATION	SPECIFICATIONS
	<p>For use in fire-rated door applications under positive and neutral pressure Intertek testing certification in compliance to NFPA 252 (2000), UL 10C (2009), NFPA 252 (2012), CSI CODE 08 90 00 Louvers and Vents</p> <p><b>Intertek</b> RECOGNIZED COMPONENT</p> <p><b>Specifications:</b></p> <ul style="list-style-type: none"> <li>- 18 Gauge cold rolled steel frame and blades</li> <li>- Mitered welded corner frame construction</li> <li>- Divided row "Y" blades spaced at 1" increments with blocked vision design</li> <li>- Counter sunk mounting holes with screws for each side of doors</li> <li>- Minimum door size thickness 1 3/8"</li> <li>- Baked on powder coat finish</li> <li>- Color: <b>Dark Bronze (DB)</b>. Custom colors available, see color chart on page 1.</li> <li>- Free Flow Area: 50% free area</li> <li>- Fasteners: Phillips pan head screw # 8 x 3/4"</li> </ul> <p><b>Notes:</b></p> <ul style="list-style-type: none"> <li>- Order size equal to opening size, Width x Height</li> <li>- Follow all door manufacturer's instructions for use and installation of all louver products</li> <li>- Optional Insect screen, see price list.</li> </ul> <p><b>* Refer to pricelist for list of fire rated sizes</b></p>

### VLV, Inverted Y-Blade Louvers

ILLUSTRATION	SPECIFICATIONS
	<p>For use in fire rated door applications under positive and neutral pressure Intertek testing certification in compliance to NFPA 252 (2000), UL 10C (2009), NFPA 252 (2012), CSI CODE 08 90 00 Louvers and Vents</p> <p><b>Intertek</b> RECOGNIZED COMPONENT</p> <p><b>Specifications:</b></p> <ul style="list-style-type: none"> <li>- 18 Gauge cold rolled steel frame and blades</li> <li>- Mitered welded corner frame construction</li> <li>- Reverse "Y" blades are frame supported at 1" increments, with blocked vision design</li> <li>- Single side mounting for non-corridor exposure with fastening screws included</li> <li>- Designed for use on 1 3/4" doors only</li> <li>- Baked on powder coat finish.</li> <li>- Color: <b>Dark Bronze (DB)</b>. Also available in <b>Grey (PR - Prime Coat)</b> in selected sizes</li> <li>- <b>Custom colors available, see color chart on page 1.</b></li> <li>- Free Flow Area: 50% free area</li> <li>- Fasteners: Phillips pan head screw # 8 x 3/4"</li> </ul> <p><b>Notes:</b></p> <ul style="list-style-type: none"> <li>- Order size equal to opening size, Width x Height</li> <li>- Follow all door manufacturer's instructions for use and installation of all louver products</li> <li>- Optional Insect screen, see price list</li> </ul> <p><b>* Refer to pricelist for list of fire rated sizes</b></p>

## 90 Minute Fire-Rated Fusible Link Louvers

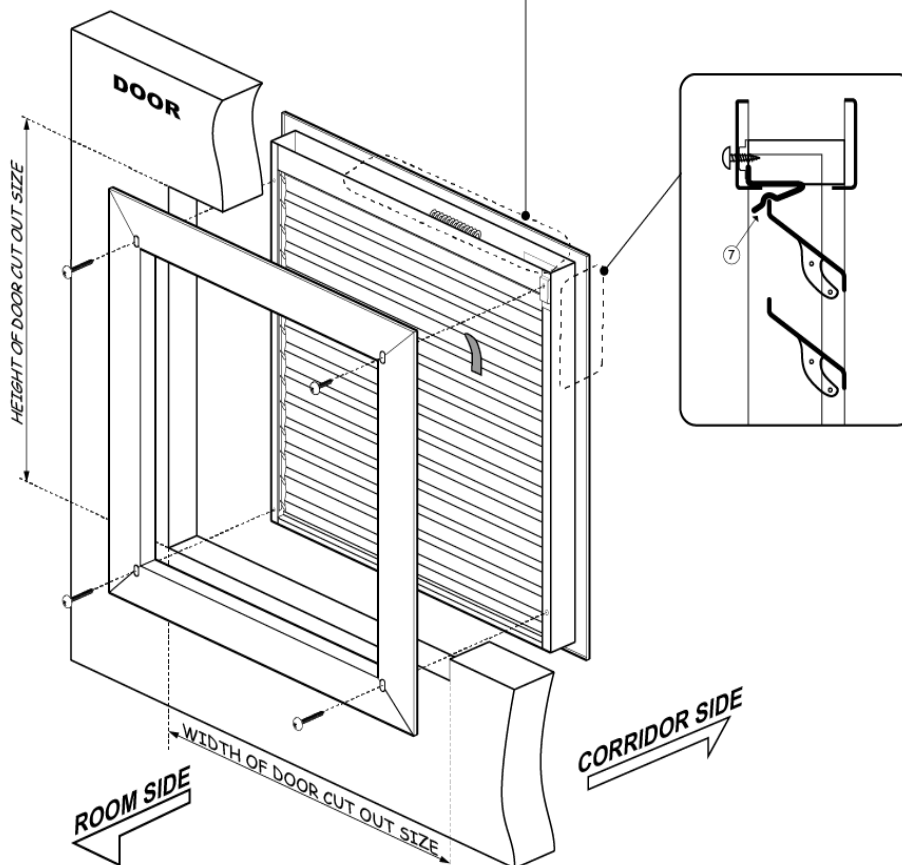
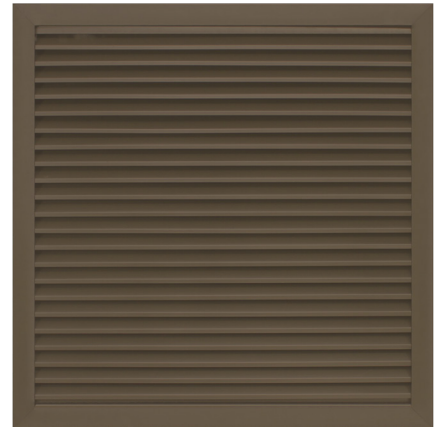
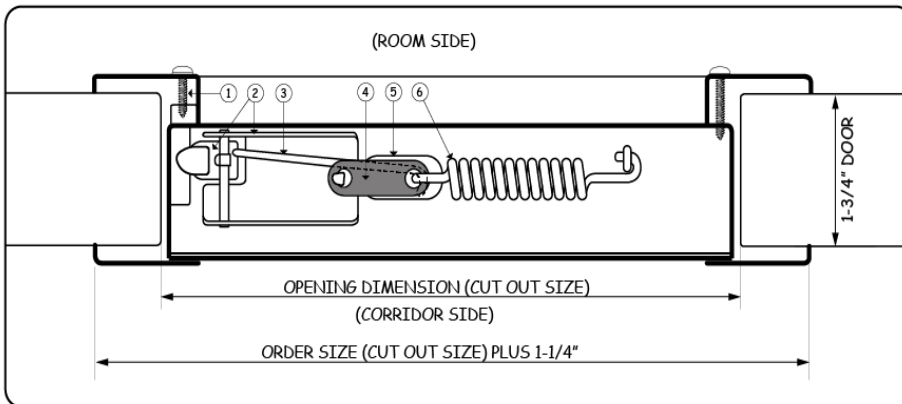
### FLLV, Adjustable Fusible Link Louvers

Adjustable Fusible Link Louvers are recommended for use in rooms where ventilation is needed and at the same time isolating the room whenever fire is present. When louver is exposed to heat at 165°F, the fusible link trips and the spring loaded louver blades shut to form an air tight fire and smoke seal.

WHI Listing Mark with a 90 Minute Fire Rating is stamped on the frame of the louvers.

Installation is easy. No need to drill holes for fasteners. All screws are mounted on the room side leaving the corridor side free of fasteners for security purposes.

Fuses are replaceable.



- ① Mounting Screws - # 8 phillips head (3 x 3/4" LG & 1 x 1/2" LG)
- ② Rocker Arm, Closing Bar and housing
- ③ "S" Hook - .080" Cadmium plated steel
- ④ Fusible link - Design temperature 165° F max
- ⑤ Heat opening - 1/2" x 1"
- ⑥ Tension spring - 3" LG x 1/2" dia x .063" thick Cadmium plated steel.
- ⑦ Flat Spring Clip

#### Standard Features:

Material: 16 Gauge CRS Frame & Louver Blades

Door: for 1 3/4" Doors only

Fasteners: 3 x 3/4" LG & 1 x 1/2" LG

Color: **Dark Bronze (DB)**

\*Custom colors available, see color chart on page 1.

Free Flow Area: 45% free area

Construction:

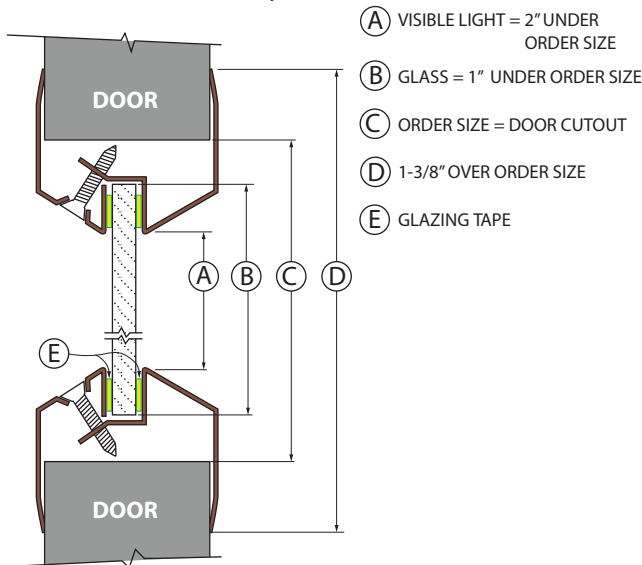
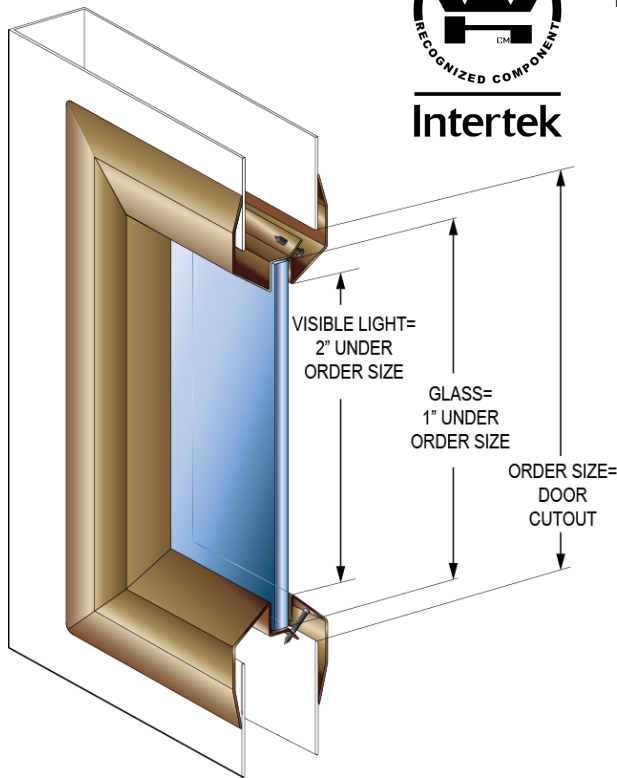
- Welded & mitered corners
- Adjustable blades of 16-gauge CRS
- Cadmium plated steel rivets & tension spring
- 1 9/16" deep louver assembly
- Optional Insect screens, see price list
- Dimensions are written Width x Height

**CUSTOM COLORS AVAILABLE, SEE COLOR CHART ON PAGE 1**

## LITES List Prices ...

### SVL SERIES, VISION LITE LOW PROFILE

**IN STOCK**  
**FOR IMMEDIATE SHIPPING**



- ▶ 20-180 Minute Fire-Rated Steel Vision Lites for <sup>3</sup>/<sub>16</sub>" to <sup>1</sup>/<sub>4</sub>" Glass
- ▶ Low Profile Beveled Vision Lite for Fire Rated Doors
- ▶ Frame has Single-Sided Fasteners
- ▶ 20 Gauge Cold Rolled Steel
- ▶ Designed for use with 1 <sup>3</sup>/<sub>4</sub>" Doors Only
- ▶ Baked on Powder Coat Finish
- ▶ Color: Dark Bronze (DB) & Grey (PR, Prime Coat) in selected sizes only
- ▶ See color chart on page 1 of the catalog for **CUSTOM COLORS**, available with factory lead time at standard discount only.
- ▶ Fasteners: # 8 x <sup>7</sup>/<sub>8</sub>" Flathead Phillips Head SMS

**OTHER COLORS AVAILABLE**  
**WITH FACTORY LEAD TIME**  
 (STANDARD DISCOUNT ONLY)

ITEM #	SIZE (DOOR CUTOUT) Width x Height	PCS / MC	LIST PRICE EACH
SVL520	5" x 20"	6	\$69
*SVL535	5" x 35"	6	81
SVL614	6" x 14"	6	58
SVL624	6" x 24"	6	78
SVL626	6" x 26"	6	81
*SVL627	6" x 27"	6	74
SVL630	6" x 30"	6	83
SVL636	6" x 36"	6	81
SVL672	6" x 72"	1	228
*SVL722	7" x 22"	6	69
SVL818	8" x 18"	6	66
SVL830	8" x 30"	6	81
*SVL832	8" x 32"	6	81
SVL836	8" x 36"	6	92
SVL838	8" x 38"	6	96
*SVL1212	12" x 12"	10	48
SVL1818	18" x 18"	2	85
SVL1830	18" x 30"	2	99
SVL1832	18" x 32"	2	101
SVL2236	22" x 36"	2	118
*SVL2424	24" x 24"	4	87
*SVL2430	24" x 30"	4	95
*SVL2432	24" x 32"	4	101
SVL2434	24" x 34"	2	114
SVL2436	24" x 36"	2	104
SVL2454	24" x 54"	1	214
SVL2456	24" x 56"	1	219
*SVL2460	24" x 60"	1	195
*SVL2464	24" x 64"	1	221
SVL2472	24" x 72"	1	286
SVL2474	24" x 74"	1	294
SVL3036	30" x 36"	2	131

**PRICES DO NOT INCLUDE GLASS**  
**Shaded Items are Non-Fire Rated.**  
 \*Available in Grey (Prime Coat) finish. Suffix "-PR" after part number.  
 Example: To order SVL1212 in Grey, use **SVL1212-PR**.

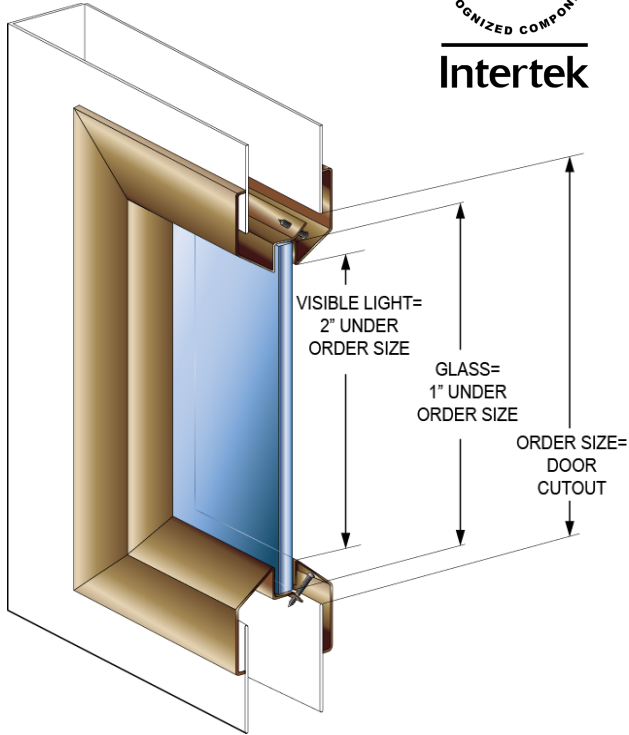
See Lites & Louvers Intertek Certification for information on Fire Ratings.  
 Or visit: <http://www.cal-royal.com/pdf/litescertification.pdf>

See page LL4 for list of custom sizes. See page LL7 for list of LITE KITS (frame, glass & glazing tape combination)

## LITES List Prices ...

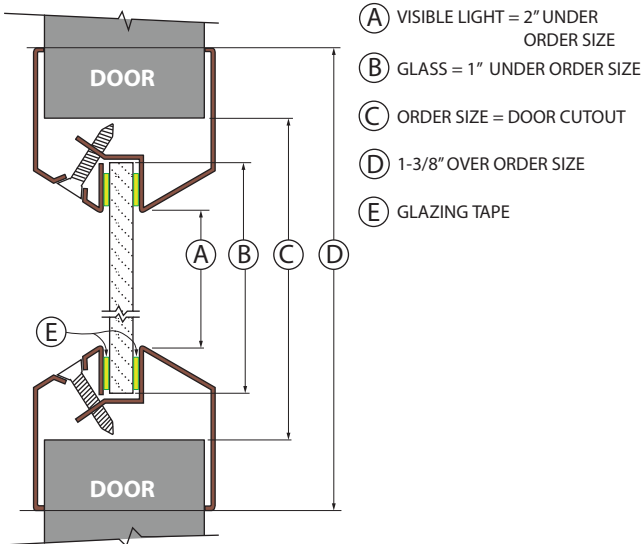
### VL SERIES, VISION LITE STANDARD PROFILE

**IN STOCK**  
**FOR IMMEDIATE SHIPPING**



- ▶ 20-180 Minute Fire-Rated Steel Vision Lites for 3/16" to 1/4" Glass
- ▶ Standard Profile Vision Lite for Fire Rated Doors
- ▶ Frame has Single-Sided Fasteners
- ▶ 20 Gauge Cold Rolled Steel
- ▶ Designed for use with 1 3/4" Doors Only
- ▶ Baked on Powder Coat Finish
- ▶ Color: **Dark Bronze (DB) & Grey (PR, Prime Coat)** in selected sizes only
- ▶ See color chart on page 1 of the catalog for **CUSTOM COLORS**, available with factory lead time at standard discount only.
- ▶ Fasteners: # 8 x 7/8" Flathead Phillips Head SMS

**OTHER COLORS AVAILABLE**  
**WITH FACTORY LEAD TIME**  
*(STANDARD DISCOUNT ONLY)*



ITEM #	SIZE (DOOR CUTOUT) Width x Height	PCS / MC	LIST PRICE EACH
VL520	5" x 20"	6	\$69
VL535	5" x 35"	6	81
VL624	6" x 24"	6	78
VL626	6" x 26"	6	81
*VL627	6" x 27"	6	74
VL630	6" x 30"	6	83
VL636	6" x 36"	6	81
VL672	6" x 72"	1	228
*VL722	7" x 22"	6	69
VL818	8" x 18"	6	66
VL830	8" x 30"	6	81
*VL832	8" x 32"	6	81
VL836	8" x 36"	6	92
VL1010	10" x 10"	10	52
*VL1212	12" x 12"	10	48
VL1414	14" x 14"	10	73
*VL1818	18" x 18"	2	85
VL1830	18" x 30"	2	99
VL2020	20" x 20"	4	94
VL2030	20" x 30"	2	104
*VL2424	24" x 24"	4	87
*VL2430	24" x 30"	4	95
*VL2432	24" x 32"	4	101
VL2434	24" x 34"	2	114
VL2436	24" x 36"	2	104
VL2456	24" x 56"	1	219
*VL2460	24" x 60"	1	195
*VL2464	24" x 64"	1	221
VL2472	24" x 72"	1	286
VL2474	24" x 74"	1	294

**PRICES DO NOT INCLUDE GLASS**  
**Shaded Items are Non-Fire Rated.**  
 \*Available in Grey (Prime Coat) finish. Suffix "-PR" after part number.  
 Example: To order VL1212 in Grey, use **VL1212-PR**.

See Lites & Louvers Intertek Certification for information on Fire Ratings.  
 Or visit: <http://www.cal-royal.com/pdf/litescertification.pdf>

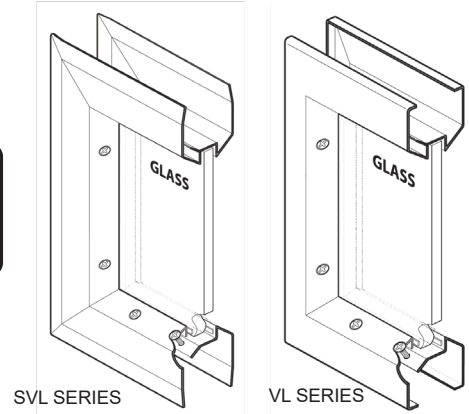
See page LL4 for list of custom sizes. See page LL7 for list of LITE KITS (frame, glass & glazing tape combination)

### STANDARD & CUSTOM SIZES LITES

#### SVL & VL SERIES

- ◆ Low and Standard Profile Vision Lites for Fire Rated Doors
- ◆ 20 Gauge Cold Rolled Steel
- ◆ For 3/16" to 1/4" Thick Glass
- ◆ Designed for use with 1 3/4" doors only
- ◆ Frame has Single-Sided Fasteners
- ◆ Fasteners: # 8 x 7/8" Flat Head Phillips SMS
- ◆ Baked on Powder Coat finish
- ◆ Color: **Dark Bronze (DB)** and **Grey (PR, Prime Coat)** in selected sizes only
- ◆ See color chart on page 1 of the catalog for **CUSTOM COLORS**, available with factory lead time at standard discount only.
- ◆ 20-180 Minute Fire-Rated Steel Vision Lites. Refer to chart below for sizes with Fire Ratings

**OTHER COLORS AND CUSTOM SIZES AVAILABLE WITH FACTORY LEAD TIME (STANDARD DISCOUNT ONLY)**



		WIDTH OF OPENING (CUT OUT SIZE)																	
		5"	6"	7"	8"	10"	12"	14"	16"	18"	20"	22"	24"	26"	28"	30"	32"	34"	36"
HEIGHT OF OPENING (CUT OUT SIZE)	4"	55	55	55	55	55	55	55	64	66	71	73	76	84	86	88	94	98	100
	6"	55	55	55	55	55	55	64	66	71	73	76	84	86	88	93	94	98	100
	8"	55	55	55	55	55	55	66	71	73	76	84	86	88	93	94	98	100	102
	10"	55	55	55	55	<b>52</b>	55	71	73	76	84	86	88	93	94	98	100	102	107
	12"	55	55	55	55	55	<i>*48</i>	73	76	84	86	88	93	94	98	100	102	107	109
	14"	58	<b>58</b>	66	66	71	<b>73</b>	84	86	88	93	94	98	100	102	107	109	111	
	16"	66	66	71	71	73	76	84	86	88	93	94	98	100	102	107	109	111	117
	18"	71	71	71	<b>66</b>	76	84	86	88	<b>*85</b>	94	98	100	102	107	109	111	117	118
	20"	<b>*69</b>	73	76	76	84	86	88	93	94	<b>94</b>	100	102	107	109	111	117	117	121
	22"	76	76	<b>*69</b>	69	86	88	93	94	98	100	102	107	109	111	117	126	121	122
	24"	84	<b>78</b>	86	86	88	93	94	98	100	102	107	<b>*87</b>	111	117	118	121	122	125
	26"	80	<b>81</b>	84	84	93	94	98	100	102	107	109	102	117	118	121	122	125	128
	27"	74	<b>*74</b>	93	93	94	98	100	102	107	109	111	117	118	121	122	125	128	132
	28"	74	74	93	93	94	98	100	102	107	109	111	117	118	121	122	125	128	132
	30"	83	<b>83</b>	<b>81</b>	<b>81</b>	98	100	102	107	<b>99</b>	<b>104</b>	117	<b>*95</b>	121	122	125	128	132	136
	32"	94	94	81	<b>*81</b>	100	102	107	109	<b>101</b>	113	118	<b>*101</b>	122	125	128	132	136	138
	34"	98	98	95	95	102	107	109	111	117	118	121	<b>114</b>	125	128	132	136	138	140
	35"	<b>81</b>	81	98	98	107	109	111	117	118	121	122	<b>104</b>	128	132	136	138	140	141
	36"	81	<b>81</b>	98	<b>92</b>	107	109	111	117	118	121	<b>118</b>	<b>104</b>	128	132	<b>131</b>	138	140	141
	38"	107	107	96	<b>96</b>	111	122	130	130	134	137	138	139	140	148	151	152	191	196
	40"	110	110	111	111	122	130	130	134	137	138	139	140	148	151	152	191	196	199
	42"	111	111	136	136	138	141	147	152	158	159	170	175	176	181	191	196	199	228
	44"	136	136	138	138	141	147	152	158	159	170	175	176	181	191	196	199	228	235
	46"	138	138	141	141	147	152	158	159	170	175	176	181	191	196	199	228	235	243
48"	141	141	147	147	152	158	159	175	175	176	181	191	196	199	228	235	243	245	
50"	147	147	151	152	158	159	170	182	176	181	191	196	199	228	235	243	245	253	
52"	158	158	159	159	161	176	181	182	191	193	200	204	228	235	243	245	253	259	
54"	159	159	161	161	176	181	182	191	193	200	204	<b>214</b>	235	243	245	253	259	264	
56"	161	161	176	176	181	182	191	193	200	204	228	<b>219</b>	231	245	253	259	264	274	
58"	176	176	181	181	182	191	193	200	204	228	235	243	245	253	259	264	274	280	
60"	181	181	182	182	191	193	200	204	228	235	243	<b>*195</b>	253	259	264	274	280	286	
62"	182	182	191	191	193	200	204	228	235	243	245	234	259	264	274	280	286	296	
64"	191	191	193	193	200	204	228	235	243	245	253	<b>*221</b>	264	274	280	286	296	302	
66"	193	193	200	200	204	228	235	243	245	253	259	215	274	280	286	296	302	317	
68"	200	200	204	204	228	235	243	245	253	259	264	274	280	286	296	302	317	324	
70"	204	204	228	228	235	243	245	253	259	264	274	280	286	296	302	317	324	320	
72"	228	<b>228</b>	235	235	243	245	253	259	264	274	280	<b>286</b>	296	302	317	251	320	330	
74"	235	235	242	243	250	253	260	267	272	282	288	<b>294</b>	304	311	326	258	330	339	

- All non-stock items are made in the USA with fast lead times.
- All other sizes are available with minimum order requirement and lead time.
- For odd numbered dimension cut outs: Use next larger even size.
- For sizes more than the maximum width and height (36 x 72), call or email customer service.
- Prices do not include Glass and Glazing Tape.
- Visible light is 2" under the order cut out size.

- 50** Bold (with reversed italics) - In stock (Quick Ship) sizes, available for immediate shipping. Prices not within black boxes are custom made.
- 50** Italicized numbers - sizes with 20-180 min. Fire Rating may vary.
- 50** Shaded areas, non-italicized numbers are Non-Fire Rated. No returns accepted on custom size orders.

Galvanneal Sheet for Exterior Applications; Prefix "G"; List x 1.2  
 ORDER FORMAT: (Series type - SVL or VL) (cut out width) (cut out height); Example: SVL1832  
**\*Available in GREY (Prime Coat) finish. Suffix "-PR" when ordering. Example: SVL1212-PR**



# LITES List Prices ...

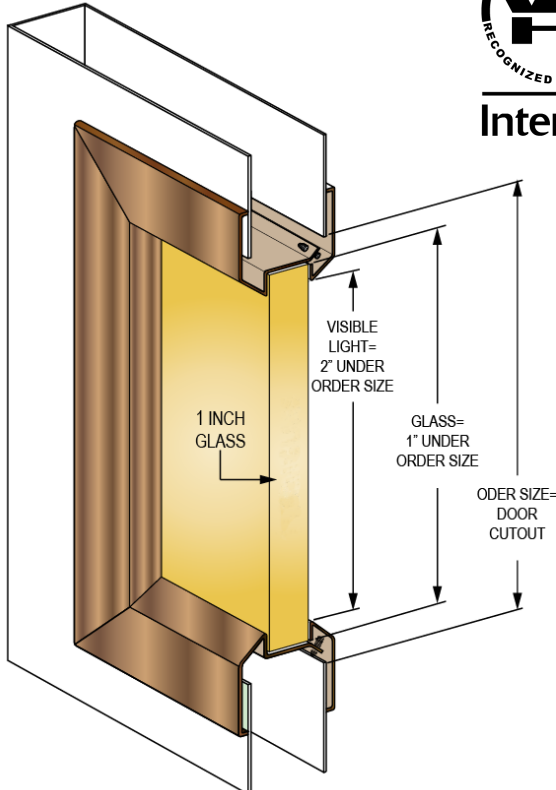
## 10VL SERIES, VISION LITE STANDARD PROFILE FOR 1" THICK GLASS

**IN STOCK**  
FOR IMMEDIATE SHIPPING

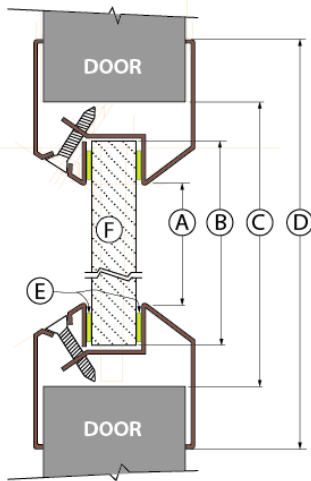
**OTHER COLORS AVAILABLE**  
WITH FACTORY LEAD TIME  
(STANDARD DISCOUNT ONLY)



**Intertek**



- ▶ 20-180 Minute Fire-Rated Steel Vision Lites for 1" Glass
- ▶ Standard Profile Vision Lite for Fire Rated Doors
- ▶ Frame has Single-Sided Fasteners
- ▶ 20 Gauge Cold Rolled Steel
- ▶ Designed for use with 1 3/4" Doors Only
- ▶ Baked on Powder Coat Finish
- ▶ Color: **Dark Bronze (DB)**. Also available in **Grey (PR, Prime Coat)** in selected sizes only
- ▶ See color chart on page 1 of the catalog for **CUSTOM COLORS**, available with factory lead time at standard discount only.
- ▶ Fasteners: # 8 x 7/8" Flathead Phillips Head SMS



- (A) VISIBLE LIGHT = 2" UNDER ORDER SIZE
- (B) GLASS = 1" UNDER ORDER SIZE
- (C) ORDER SIZE = DOOR CUTOUT
- (D) 1-3/8" OVER ORDER SIZE
- (E) GLAZING TAPE
- (F) GLASS 1" THICK

10VL, Beveled Vision Lite for 1" Thick Glass			
ITEM #	SIZE (DOOR CUTOUT) Width x Height	PCS / MC	LIST PRICE EACH
10VL627	6" x 27"	6	\$123
10VL722	7" x 22"	6	110
10VL832	8" x 32"	6	136
10VL1212	12" x 12"	10	79
10VL2424	24" x 24"	4	152
10VL2430	24" x 30"	4	162
10VL2432	24" x 32"	4	168
10VL2436	24" x 36"	2	175
10VL2456	24" x 56"	1	326
10VL2460	24" x 60"	1	340
10VL2464	24" x 64"	1	360

**PRICES DO NOT INCLUDE GLASS**  
**Shaded Items are Non-Fire Rated.**

See Lites & Louvers Intertek Certification for detailed information on Fire Ratings.  
Or visit: <http://www.cal-royal.com/pdf/litescertification.pdf>

See page LL6 for list of custom sizes.

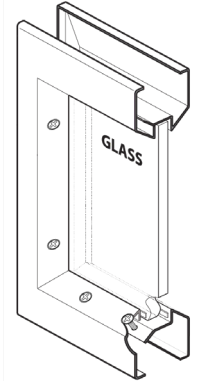
### STANDARD & CUSTOM SIZES LITES

#### 10VL SERIES

- ◆ Standard Profile Vision Lites for Fire Rated Doors
- ◆ 20 Gauge Cold Rolled Steel
- ◆ For 1" Thick Glass
- ◆ Frame has Single-Sided fasteners
- ◆ Fasteners: # 8 x 7/8" Flat Head Phillips SMS
- ◆ Designed for use with 1 3/4" doors only
- ◆ Baked on Powder Coat finish

**OTHER COLORS AND  
CUSTOM SIZES AVAILABLE  
WITH FACTORY LEAD TIME  
(STANDARD DISCOUNT ONLY)**

- ◆ Color: **Dark Bronze (DB)**
- ◆ See color chart on page 1 of the catalog for **CUSTOM COLORS**, available with factory lead time at standard discount only.
- ◆ 20-180 Minute Fire-Rated Steel Vision Lites
- Refer to chart below for sizes with Fire Ratings



		WIDTH OF OPENING (CUT OUT SIZE)																	
		5"	6"	7"	8"	10"	12"	14"	16"	18"	20"	22"	24"	26"	28"	30"	32"	34"	36"
HEIGHT OF OPENING (CUT OUT SIZE)	4"	84	84	84	84	84	84	84	94	99	106	110	114	123	128	132	141	146	151
	6"	84	84	84	84	84	84	94	99	106	110	114	123	128	132	139	141	146	151
	8"	84	84	84	84	84	84	99	106	110	114	123	128	132	139	141	146	151	152
	10"	84	84	84	84	81	84	106	110	114	123	128	132	139	141	146	151	152	159
	12"	84	84	84	84	84	<b>79</b>	110	114	123	128	132	139	141	146	151	152	159	163
	14"	94	94	99	99	106	110	114	123	128	132	139	141	146	151	152	159	163	168
	16"	99	99	106	106	110	114	123	128	132	139	141	146	151	152	159	163	168	175
	18"	106	106	106	106	114	123	128	132	136	141	146	151	152	159	163	168	175	177
	20"	110	110	114	114	123	128	132	139	141	146	151	152	159	163	168	175	177	181
	22"	114	114	<b>110</b>	114	128	132	139	141	146	151	152	159	163	168	175	177	181	183
	24"	123	123	128	128	132	139	141	146	151	152	159	<b>152</b>	168	175	177	181	183	186
	26"	128	128	132	132	139	141	146	151	152	159	163	168	175	177	181	183	186	190
	27"	128	<b>123</b>	139	139	141	146	151	152	159	163	168	175	177	181	183	186	190	199
	28"	128	128	139	139	141	146	151	152	159	163	168	175	177	181	183	186	190	199
	30"	139	139	137	137	146	151	152	159	163	168	175	<b>162</b>	181	183	186	190	199	201
	32"	141	141	139	<b>136</b>	151	152	159	163	161	175	177	<b>168</b>	183	186	190	199	201	206
	34"	146	146	151	151	152	159	163	168	175	177	181	183	186	190	199	201	206	211
	35"	143	143	146	146	159	163	168	175	177	181	183	180	190	199	201	206	211	213
	36"	143	143	146	146	159	163	168	175	177	181	183	<b>175</b>	190	199	201	206	211	213
	38"	159	159	167	167	168	201	206	213	220	228	236	237	256	262	264	272	286	294
	40"	167	167	168	168	201	206	213	220	228	236	237	256	262	264	272	286	294	297
	42"	168	168	201	201	206	213	220	228	236	237	256	262	264	272	286	294	297	342
	44"	201	201	206	206	213	220	228	236	237	256	262	264	272	286	294	297	342	352
	46"	206	206	213	213	220	228	236	237	256	262	264	272	286	294	297	342	352	364
	48"	213	213	220	220	228	236	237	262	262	264	272	286	294	297	342	352	364	369
	50"	220	220	227	228	236	237	256	274	264	272	286	294	297	342	352	364	369	378
	52"	236	236	237	237	242	264	272	274	286	290	300	305	342	352	364	369	378	389
	54"	237	237	242	242	264	272	274	286	290	300	305	330	352	364	369	378	389	397
56"	242	242	264	264	272	274	286	290	300	305	342	<b>326</b>	364	369	378	389	397	409	
58"	264	264	272	272	274	286	290	300	305	342	352	364	369	378	389	397	409	420	
60"	272	272	274	274	286	290	300	305	342	352	364	<b>340</b>	378	389	397	409	420	429	
62"	274	274	286	286	290	300	305	342	352	364	369	378	389	397	409	420	429	444	
64"	286	286	290	290	300	305	342	352	364	369	378	<b>360</b>	397	409	420	429	444	454	
66"	290	290	300	300	305	342	352	364	369	378	389	378	409	420	429	444	454	474	
68"	300	300	305	305	342	352	364	369	378	389	397	409	420	429	444	454	474	488	
70"	305	305	342	342	352	364	369	378	389	397	409	420	429	444	454	474	488	502	
72"	342	342	352	352	364	369	378	389	397	409	420	429	444	454	474	488	502	514	
74"	353	353	362	362	375	379	389	400	408	421	431	442	457	467	488	502	516	529	

- All non-stock items are made in the USA with fast lead times.
- All other sizes are available with minimum order requirement and lead time.
- For odd numbered dimension cut outs: Use next larger even size.
- For sizes more than the maximum width and height (36 x 72), call or email customer service.
- Prices do not include Glass and Glazing Tape.
- Visible light is 2" under the order cut out size.

- 50** Bold (with reversed italics) - In stock sizes, available for immediate shipping. Prices not within black boxes are custom made.
- 50* Italicized numbers - sizes with 20-180 min. Fire Rating may vary.
- 50** Shaded areas, non-italicized numbers are Non-Fire Rated.

**Galvanneal Sheet for Exterior Applications; Prefix "G"; List x 1.2**  
No returns accepted on custom size orders.

ORDER FORMAT: 10VL x (cut out width) x (cut out height); Example: 10VL1832

# LOUVERS *List Prices ...*

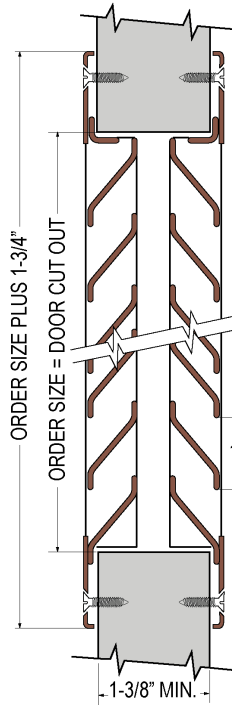
## YLV, DIVIDED REVERSE "Y" BLADE LOUVERS

### 90 Minute Fire-Rated Steel Louvers

- ▶ For use in Fire Rated Door Applications under Positive and Neutral Pressure Intertek Testing Certification in Compliance to NFPA 252 (2000), UL 10C (2009), NFPA 252 (2012), CSI CIDE 89000 Louvers & Vents
- ▶ 18 Gauge Cold Rolled Steel Frame and Blades
- ▶ Mitered Welded Corner Frame Construction
- ▶ Divided Row "Y" Blades Spaced at 1" Increments with Blocked Vision Design
- ▶ Counter Sunk Mounting Holes with Screws for each Side of the Door
- ▶ Minimum Door Size Thickness: 1 3/8"
- ▶ Baked on Powder Coat Finish.
- ▶ Free Flow Area: 50% free area
- ▶ Color: **Dark Bronze (DB)**
- ▶ See color chart on page 1 of the catalog for **CUSTOM COLORS**, available with factory lead time at standard discount only
- ▶ Fasteners: Phillips Head Screws # 8 x 3/4"
- ▶ Individually boxed

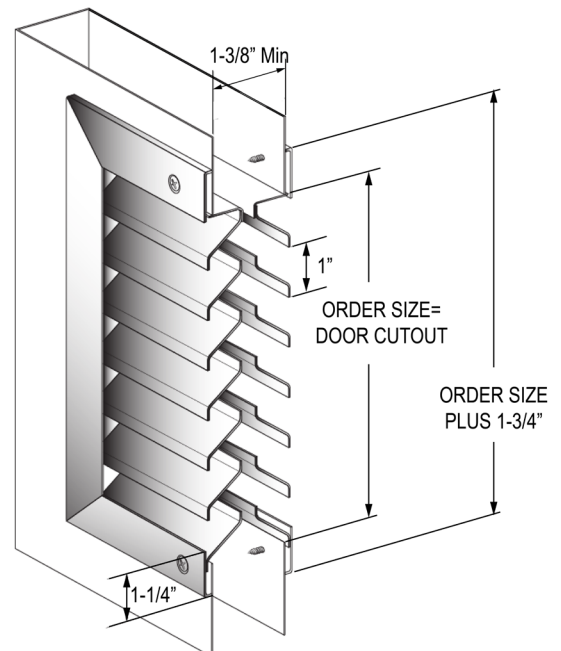
**IN STOCK**  
FOR IMMEDIATE SHIPPING

**OTHER FRAME COLORS**  
AVAILABLE WITH  
**FACTORY LEAD TIME**  
(STANDARD DISCOUNT ONLY)



**Intertek**

ITEM #	SIZES (DOOR CUTOUT) Width x Height	PCS / MC	LIST PRICE EACH
YLV1212	12" x 12"	4	\$96
YLV1812	18" x 12"	2	109
YLV1818	18" x 18"	4	130
YLV2412	24" x 12"	2	130
YLV2424	24" x 24"	1	204
<b>Shaded Items are Non-Fire Rated.</b>			



See Lites & Louvers Intertek Certification for detailed information on Fire Ratings.  
Or visit: <http://www.cal-royal.com/pdf/litescertification.pdf>

Screens List Price: (\$20.00 minimum order each)  
YLV Series - Unframed Standard  
Unframed Aluminum Insect 10.00 / sq.ft. (prefix UA)  
Ex. UAYLV1212

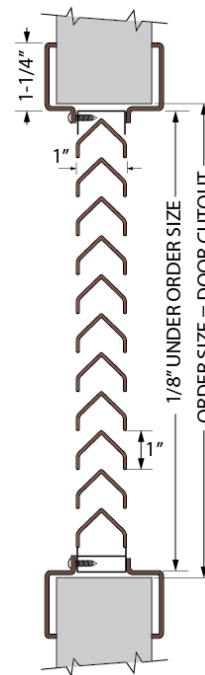
## VLV, INVERTED Y-BLADE LOUVERS

### 90 Minute Fire-Rated Steel Louvers

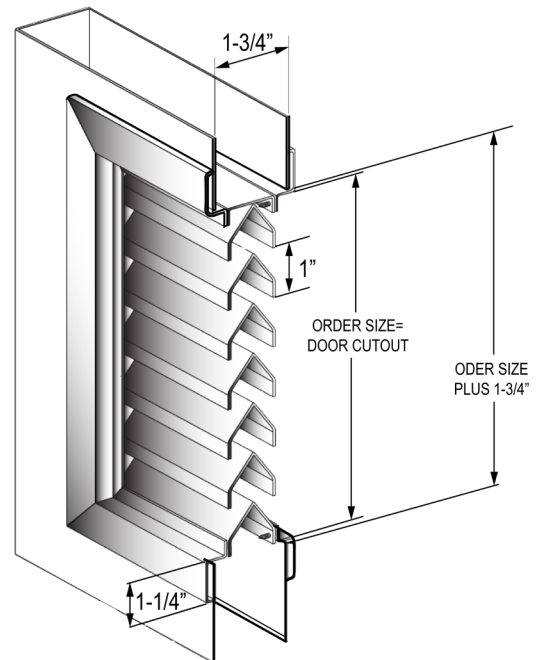
- ▶ For use in Fire Rated Door Applications under Positive and Neutral Pressure Intertek Testing Certification in Compliance to NFPA 252 (2000), UL 10C (2009), NFPA 252 (2012), CSI Code 089000 Louvers & Vents
- ▶ 18 Gauge Cold Rolled Steel Frame and Blades
- ▶ Mitered Welded Corner Frame Construction
- ▶ Reverse "Y" Blades are Framed Supported at 1" Increments with Blocked Vision Design
- ▶ Single Side Mounting for Non Corridor Exposure with Fastening Screw Included
- ▶ Designed for use with 1 3/4" Doors Only
- ▶ Baked on Powder Coat Finish
- ▶ Free Flow Area: 50% free area
- ▶ Color: **Dark Bronze (DB)** and
- ▶ Available in **Grey (PR, Prime Coat)** in selected sizes only
- ▶ **See color chart on page 1 of the catalog for CUSTOM COLORS, available with factory lead time at standard discount only**
- ▶ Fasteners: Phillips Head Screws # 8 x 3/4"
- ▶ Individually boxed.

**IN STOCK**  
**FOR IMMEDIATE SHIPPING**

**OTHER FRAME COLORS**  
**AVAILABLE WITH**  
**FACTORY LEAD TIME**  
**(STANDARD DISCOUNT ONLY)**



ITEM #	SIZES (DOOR CUTOUT) Width x Height	PCS / MC	LIST PRICE EACH
*VLV1212	12" x 12"	4	\$86
VLV1218	12" x 18"	2	113
*VLV1224	12" x 24"	2	133
*VLV1812	18" x 12"	2	103
*VLV1818	18" x 18"	2	122
VLV1824	18" x 24"	2	139
VLV1860	18" x 60"	2	474
VLV1864	18" x 64"	2	508
VLV2010	20" x 10"	2	117
*VLV2412	24" x 12"	2	122
VLV2418	24" x 18"	2	132
*VLV2424	24" x 24"	1	170
VLV2460	24" x 60"	2	489
VLV2464	24" x 64"	2	504
<b>Shaded Items are Non-Fire Rated.</b>			
*Available in GREY (PR, Prime Coat finish). Suffix "-PR" after part number. Example: To order VLV1212 in GREY finish, use <b>VLV1212-PR</b> .			



Screens List Price: (\$20.00 minimum order each)  
**VLV Series - Unframed Standard**

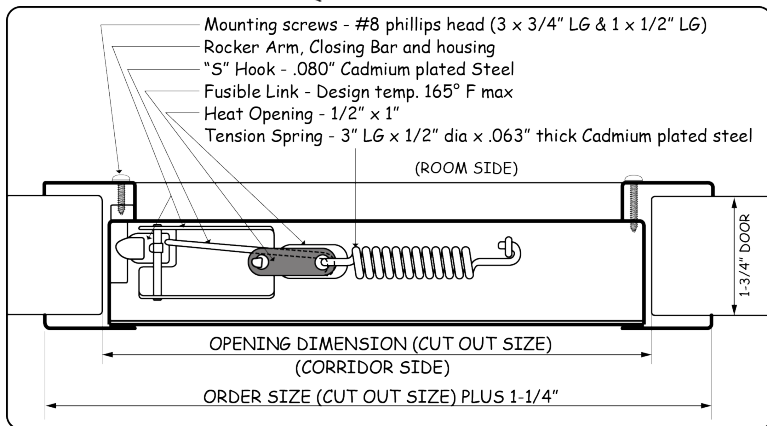
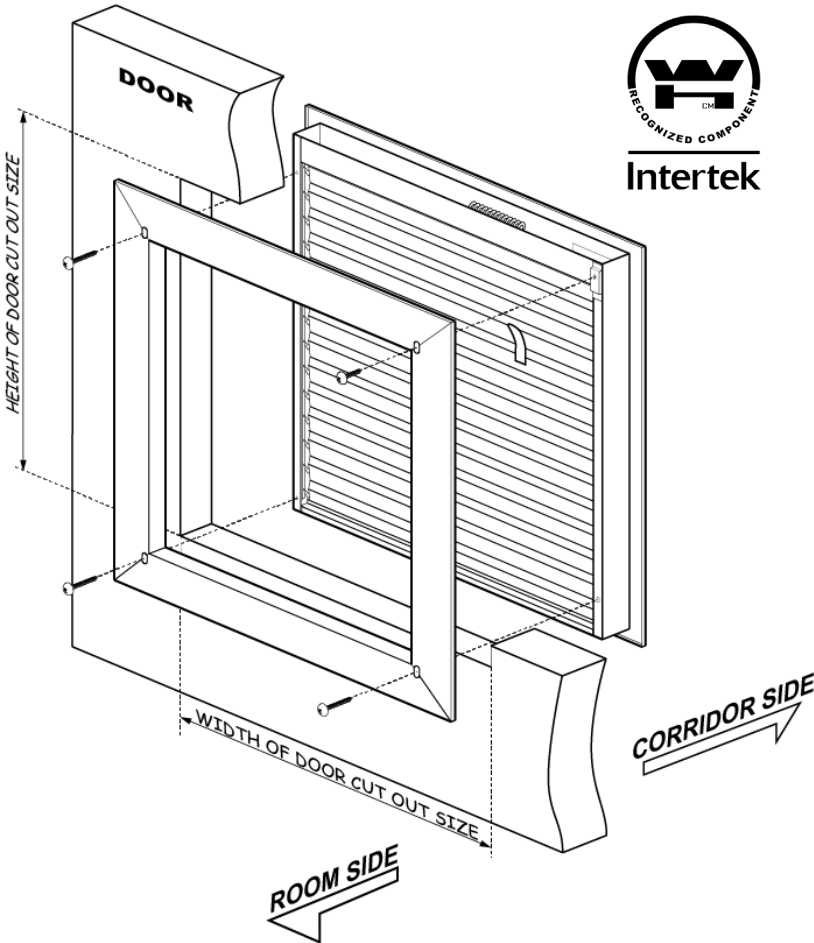
Framed Aluminum Insect	12.00 / sq.ft. (prefix FA)
	Ex. FAVLV1212
Unframed Aluminum Insect	10.00 / sq.ft. (prefix UA)
	Ex. UAVLV1212

See Lites & Louvers Intertek Certification for detailed information on Fire Ratings.  
Or visit: <http://www.cal-royal.com/pdf/litescertification.pdf>

**FLLV, ADJUSTABLE FUSIBLE LINK LOUVERS**  
**90 Minute Fire-Rated Steel Louvers**

**IN STOCK**  
FOR IMMEDIATE SHIPPING

**OTHER FRAME COLORS**  
AVAILABLE WITH  
FACTORY LEAD TIME  
(STANDARD DISCOUNT ONLY)



- ▶ For use in Fire Rated Door Applications under Positive and Neutral Pressure Intertek Testing Certification in Compliance to NFPA 252 (2000), UL 10C (2009), NFPA 252 (2012), CSI Code 089000 Louvers & Vents
- ▶ Fusible Link Design Temperature 165°F Max
- ▶ 16 Gauge Cold Rolled Steel Frame and Blades
- ▶ Mitered Welded Corner Frame Construction
- ▶ Free Flow Area: 45% free area
- ▶ 1 9/16" Deep Louver Assembly
- ▶ Cadmium Plated Steel Rivets
- ▶ Cadmium Plated Steel Tension Spring
- ▶ Door Size Thickness: 1 3/4" Only
- ▶ Baked on Powder Coat Finish
- ▶ Color: **Dark Bronze (DB)**
- ▶ See color chart on page 1 of the catalog for **CUSTOM COLORS**, available with factory lead time at standard discount only
- ▶ Fasteners: (3) #8 x 3/4" & (1) #8 x 1/2" LG
- ▶ Individually boxed

**Screens List Price: (\$20.00 minimum order each)**  
**FLLV Series - Unframed Standard**  
 Unframed Aluminum Insect 10.00 / sq.ft. (prefix UA)  
 Ex. UAFLLV1212  
 Framed Aluminum Insect 12.00 / sq.ft. (prefix FA)  
 Ex. FAFLLV1212

ITEM #	SIZES (DOOR CUTOUT) Width x Height	PCS / MC	LIST PRICE EACH
FLLV1212	12" x 12"	4	\$222
FLLV1224	12" x 24"	2	301
FLLV1812	18" x 12"	2	248
FLLV1818	18" x 18"	2	275
FLLV1824	18" x 24"	2	346
FLLV2412	24" x 12"	2	283
FLLV2418	24" x 18"	2	317
FLLV2424	24" x 24"	2	320