



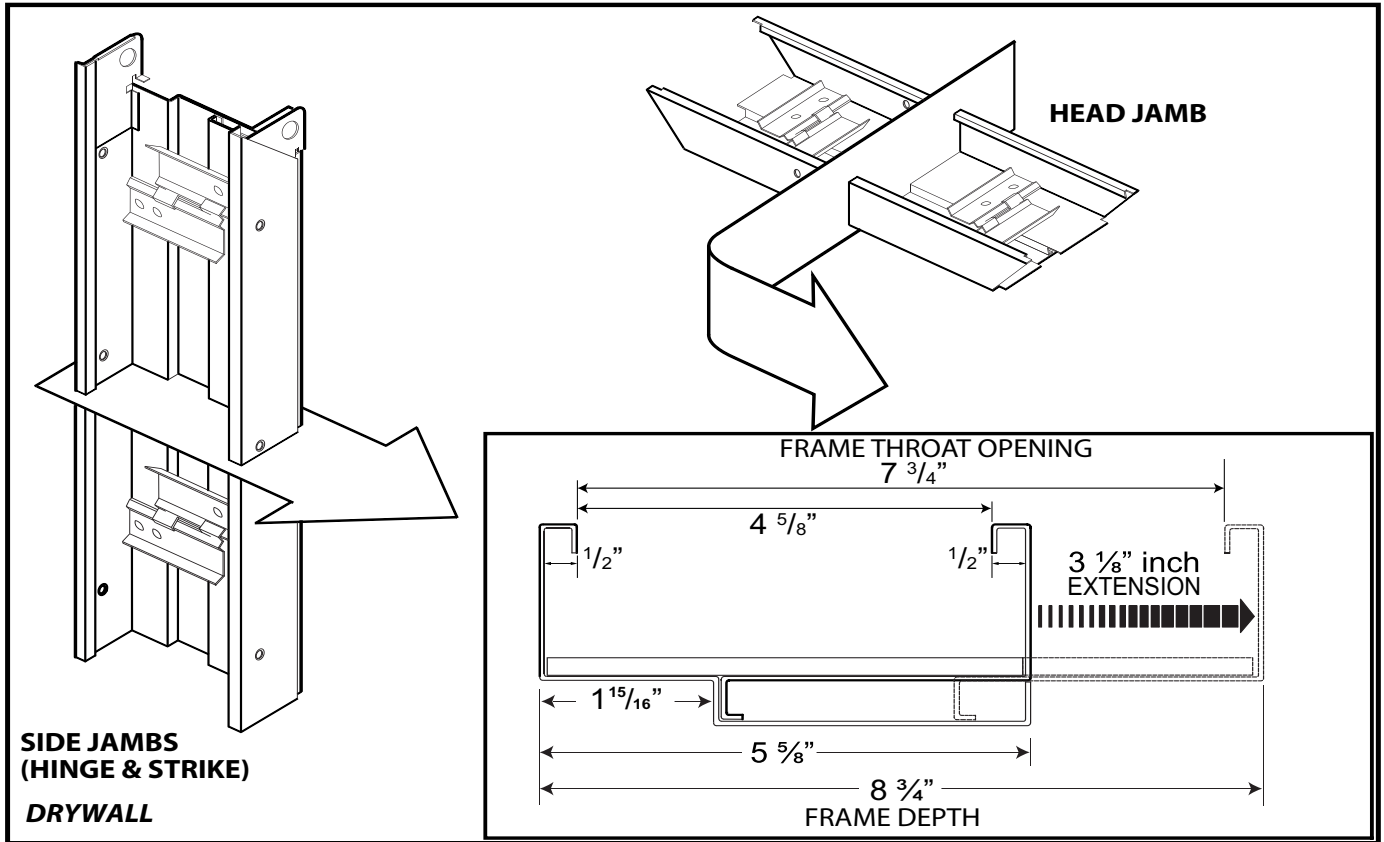
EXP 5000 Expandable Drywall Frames

16 GAUGE GALVANIZED

5.625" to 8.75" DEPTH EXPANDABLE DRYWALL FRAME GALVANIZED

- 90 Minute WHI Mark as Standard
- 12-Gauge ASA Strike Reinforcement
- Four 7-Gauge 4.5" x 4.5" Hinge Reinforcements for 8' Doors
- Three 7-Gauge 4.5" x 4.5" Hinge Reinforcements for 6'8" and 7'0" Doors

REFER TO NEXT PAGE FOR STOCK ITEMS



COMPLETE FRAME SIZES		
WIDTH	HEIGHT	
S I N G L E	3'0"	6'8"
		7'0"
		8'0"
3'6"	6'8"	
	7'0"	
	8'0"	
4'0"	6'8"	
	7'0"	
	8'0"	
P A I R	6'0"	6'8"
		7'0"
		8'0"

FRAME COMPONENTS	
PART	LENGTH
HINGE JAMB	6'8"
	7'0"
	8'0"
STRIKE JAMB	6'8"
	7'0"
	8'0"
SINGLE HEAD	3'0"
	3'6"
	4'0"
PAIR HEAD	6'0"

HOW TO ORDER		
Example: 3070 Part # 5625 (5.625" to 8.75") Expandable Drywall Right Hand Frame		
TYPE	SIZE	PART
XDW	305625	H
XDW	705625	HJR
XDW	705625	SJR
TYPE	XDW (Expandable Dry Wall)	
SIZE	Width / Height	
PART	H (Head), HJ (Hinge Jamb Right or Left), SJ (Strike Jamb Right or Left), PR (Pair Head)	



EXP 5000 Expandable Drywall Frames

16 GAUGE GALVANIZED

5.625" to 8.75" DEPTH EXPANDABLE DRYWALL FRAME GALVANIZED

- 90 Minute WHI Mark as Standard
- 12-Gauge ASA Strike Reinforcement
- Four 7-Gauge 4.5" x 4.5" Hinge Reinforcements for 8' Doors
- Three 7-Gauge 4.5" x 4.5" Hinge Reinforcements for 6'8" and 7'0" Doors

HAND	ITEM #	SIZE
DEPTH: 5.625" TO 8.75 ; TYPE / GAUGE: 16 SINGLE		
RH	5781	3068
LH	5782	
RH	5783	3070
LH	5784	
RH	5785	3080
LH	5788	
RH	5789	3668
LH	5790	
RH	5791	3670
LH	5792	
RH	5793	3680
LH	5794	
RH	5795	4068
LH	5796	
RH	5797	4070
LH	5798	
RH	5799	4080
LH	5800	
DEPTH: 5.625" TO 8.75 ; TYPE / GAUGE: 16 PAIR		
PAIR	5801	6068
	5803	6070
	5805	6080

FRAME COMPONENTS			
PART	HAND	ITEM #	SIZE
HINGE JAMB	RH	XDW685625HJR	6'8"
	LH	XDW685625HJL	
	RH	XDW705625HJR	7'0"
	LH	XDW705625HJL	
	RH	XDW805625HJR	8'0"
	LH	XDW805625HJL	
STRIKE JAMB	RH	XDW685625SJR	6'8"
	LH	XDW685625SJL	
	RH	XDW705625SJR	7'0"
	LH	XDW705625SJL	
	RH	XDW805625SJR	8'0"
	LH	XDW805625SJL	
SINGLE HEAD		XDW305625H	3'0"
		XDW365625H	3'6"
		XDW405625H	4'0"
PAIR HEAD		XWDP605625H	6'0"