

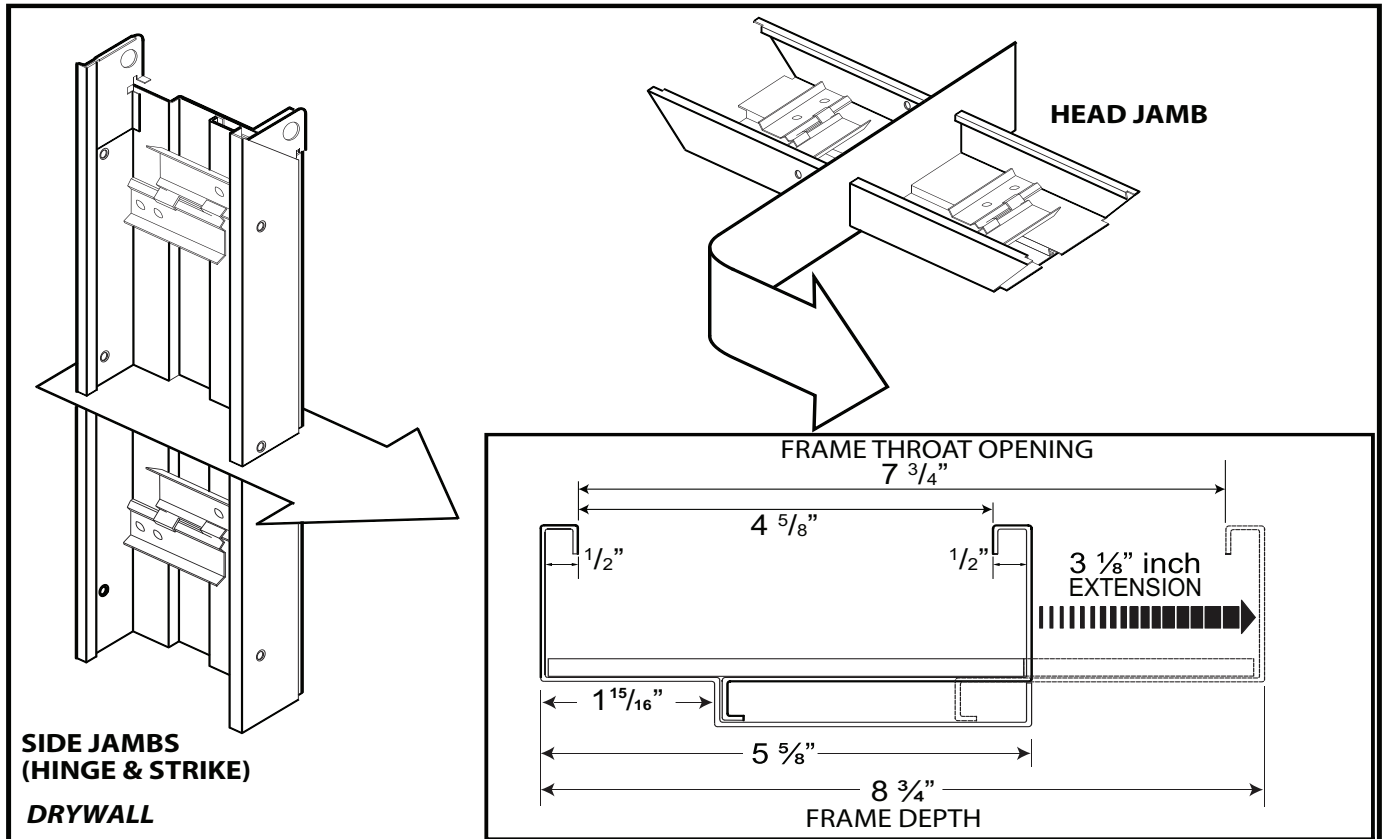


EXP 5000 Expandable Drywall Frames

16 GAUGE 5.625" to 8.75" DEPTH EXPANDABLE DRYWALL FRAME GALVANIZED

- 90 Minute WHI Mark as Standard
- 12-Gauge ASA Strike Reinforcement
- Four 7-Gauge 4.5" x 4.5" Hinge Reinforcements for 8' Doors
- Three 7-Gauge 4.5" x 4.5" Hinge Reinforcements for 6'8" and 7'0" Doors

REFER TO NEXT PAGE FOR STOCK ITEMS



| COMPLETE FRAME SIZES | | |
|----------------------------|-------|--------|
| | WIDTH | HEIGHT |
| S I N G L E | 3'0" | 6'8" |
| | | 7'0" |
| | | 8'0" |
| | 3'6" | 6'8" |
| | | 7'0" |
| | | 8'0" |
| | 4'0" | 6'8" |
| | | 7'0" |
| | | 8'0" |
| P A I R | 6'0" | 6'8" |
| | | 7'0" |
| | | 8'0" |

| FRAME COMPONENTS | |
|------------------|--------|
| PART | LENGTH |
| HINGE JAMB | 6'8" |
| | 7'0" |
| | 8'0" |
| STRIKE JAMB | 6'8" |
| | 7'0" |
| | 8'0" |
| SINGLE HEAD | 3'0" |
| | 3'6" |
| | 4'0" |
| PAIR HEAD | 6'0" |

| HOW TO ORDER | | |
|---|--|------|
| Example: 3070 Part # 5625 (5.625" to 8.75") Expandable Drywall Right Hand Frame | | |
| TYPE | SIZE | PART |
| XDW | 305625 | H |
| XDW | 705625 | HJR |
| XDW | 705625 | SJR |
| TYPE | XDW (Expandable Dry Wall) | |
| SIZE | Width / Height | |
| PART | H (Head), HJ (Hinge Jamb Right or Left), SJ (Strike Jamb Right or Left), PR (Pair Head) | |



EXP 5000 Expandable Drywall Frames

16 GAUGE 5.625" to 8.75" DEPTH EXPANDABLE DRYWALL FRAME GALVANIZED

- 90 Minute WHI Mark as Standard
- 12-Gauge ASA Strike Reinforcement
- Four 7-Gauge 4.5" x 4.5" Hinge Reinforcements for 8' Doors
- Three 7-Gauge 4.5" x 4.5" Hinge Reinforcements for 6'8" and 7'0" Doors

| HAND | ITEM # | SIZE |
|---|--------|------|
| DEPTH: 5.625" TO 8.75 ; TYPE / GAUGE: 16 GALVANIZED SINGLE | | |
| RH | 5781 | 3068 |
| LH | 5782 | |
| RH | 5783 | 3070 |
| LH | 5784 | |
| RH | 5785 | 3080 |
| LH | 5788 | |
| RH | 5789 | 3668 |
| LH | 5790 | |
| RH | 5791 | 3670 |
| LH | 5792 | |
| RH | 5793 | 3680 |
| LH | 5794 | |
| RH | 5795 | 4068 |
| LH | 5796 | |
| RH | 5797 | 4070 |
| LH | 5798 | |
| RH | 5799 | 4080 |
| LH | 5800 | |
| DEPTH: 5.625" TO 8.75 ; TYPE / GAUGE: 16 GALVANIZED PAIR | | |
| PAIR | 5801 | 6068 |
| | 5803 | 6070 |
| | 5805 | 6080 |

| FRAME COMPONENTS | | | |
|------------------|------|--------------|------|
| PART | HAND | ITEM # | SIZE |
| HINGE JAMB | RH | XDW685625HJL | 6'8" |
| | LH | XDW685625HJR | |
| | RH | XDW705625HJR | 7'0" |
| | LH | XDW705625HJL | |
| | RH | XDW805625HJR | 8'0" |
| | LH | XDW805625HJL | |
| STRIKE JAMB | RH | XDW685625SJR | 6'8" |
| | LH | XDW685625SJL | |
| | RH | XDW705625SJR | 7'0" |
| | LH | XDW705625SJL | |
| | RH | XDW805625SJR | 8'0" |
| | LH | XDW805625SJL | |
| SINGLE HEAD | | XDW305625H | 3'0" |
| | | XDW365625H | 3'6" |
| | | XDW405625H | 4'0" |
| PAIR HEAD | | XWDP605625H | 6'0" |