

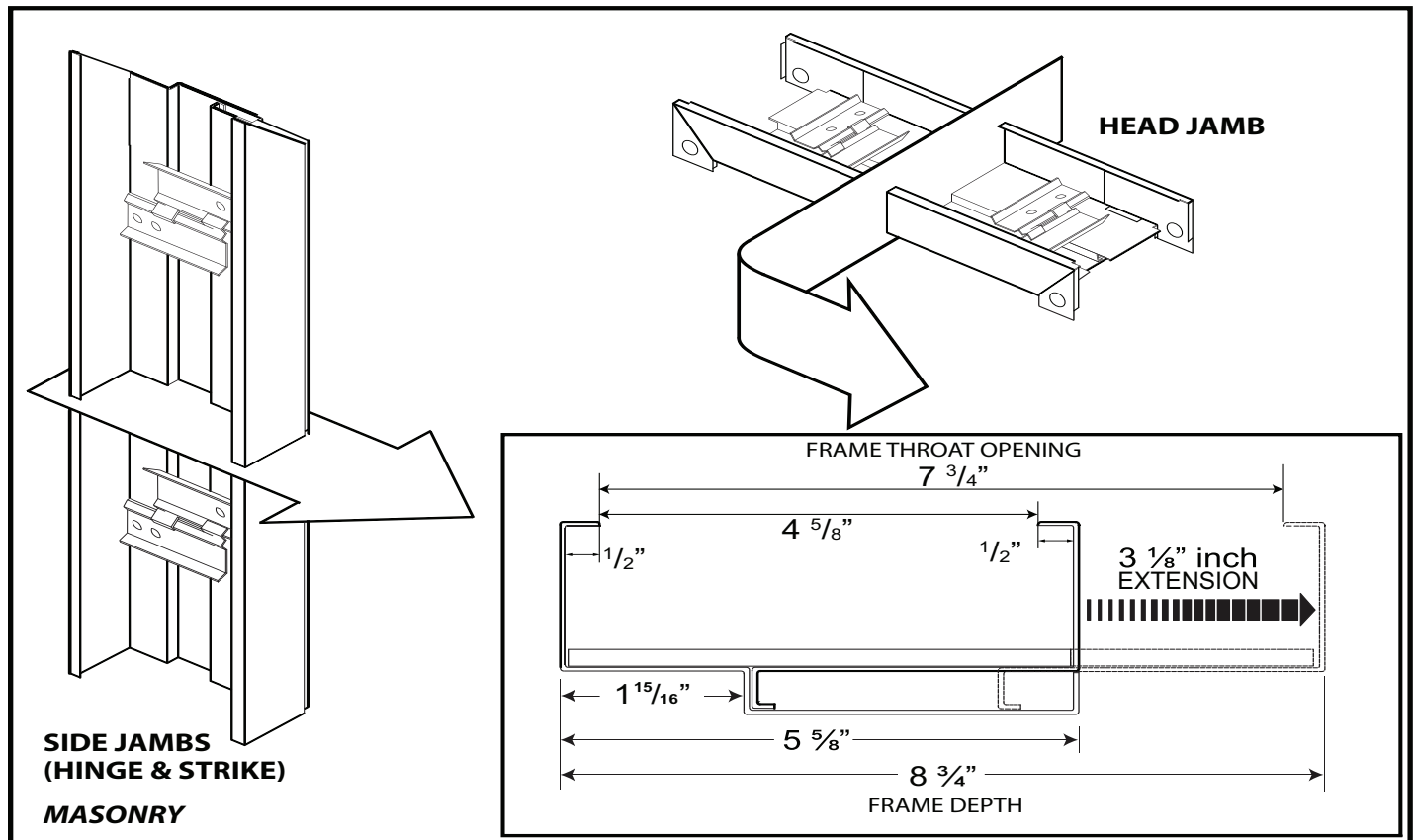
EXP 4000 Expandable Masonry Frames

16 GAUGE 5.625" to 8.75" DEPTH EXPANDABLE MASONRY FRAME

GALVANIZED STEEL

- 90 Minute WHI Mark as Standard
- 12-Gauge ASA Strike Reinforcement
- Four 7-Gauge 4.5" x 4.5" Hinge Reinforcements for 8' Doors
- Three 7-Gauge 4.5" x 4.5" Hinge Reinforcements for 6'8" and 7'0" Doors

REFER TO NEXT PAGE FOR STOCK ITEMS



COMPLETE FRAME SIZES		FRAME COMPONENTS		HOW TO ORDER			
	WIDTH	HEIGHT	PART	LENGTH			
S I N G L E	3'0"	6'8"	HINGE JAMB	6'8"	TYPE	Example: 3070 Part # 5625 (5.625" to 8.75") Expandable Masonry Right Hand Frame	
		7'0"		7'0"			
		8'0"		8'0"			
	3'6"	6'8"	STRIKE JAMB	6'8"	X	305625	H
		7'0"		7'0"	X	705625	HJR
		8'0"		8'0"	X	705625	SJR
	4'0"	6'8"	SINGLE HEAD	3'0"	TYPE	X (Expandable Masonry)	
		7'0"		3'6"	SIZE	Width / Height	
		8'0"		4'0"	PART	H (Head), HJ (Hinge Jamb Right or Left), SJ (Strike Jamb Right or Left), PR (Pair Head)	
P A I R	6'0"	6'8"	PAIR HEAD	6'0"			
		7'0"					
		8'0"					



EXP 4000 Expandable Masonry Frames

16 GAUGE 5.625" to 8.75" DEPTH EXPANDABLE MASONRY FRAME

GALVANIZED STEEL

- 90 Minute WHI Mark as Standard
- 12-Gauge ASA Strike Reinforcement
- Four 7-Gauge 4.5" x 4.5" Hinge Reinforcements for 8' Doors
- Three 7-Gauge 4.5" x 4.5" Hinge Reinforcements for 6'8" and 7'0" Doors

HAND	ITEM #	SIZE
DEPTH: 5.625" TO 8.75" GALVANIZED, SINGLE		
RH	4012	3068
LH	4013	
RH	4014	3070
LH	4015	
RH	4016	3080
LH	4017	
RH	4018	3668
LH	4019	
RH	4020	3670
LH	4021	
RH	4022	3680
LH	4023	
RH	4024	4068
LH	4025	
RH	4026	4070
LH	4027	
RH	4028	4080
LH	4029	
DEPTH: 5.625" TO 8.75" GALVANIZED, PAIR		
PAIR	4030	6068
PAIR	4031	6070
PAIR	4032	6080

FRAME COMPONENTS			
PART	HAND	ITEM #	SIZE
DEPTH: 5.625" TO 8.75" GALVANIZED			
HINGE JAMB	RH	X685625HJR	6'8"
	LH	X685625HJL	
	RH	X705625HJR	7'0"
	LH	X705625HJL	
	RH	X805625HJR	8'0"
	LH	X805625HJL	
STRIKE JAMB	RH	X685625SJR	6'8"
	LH	X685625SJL	
	RH	X705625SJR	7'0"
	LH	X705625SJL	
	RH	X805625SJR	8'0"
	LH	X805625SJL	
SINGLE HEAD		X305625H	3'0"
		X365625H	3'6"
		X405625H	4'0"
PAIR HEAD		XPR605625H	6'0"