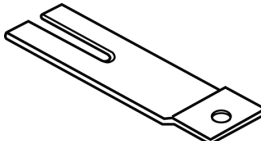
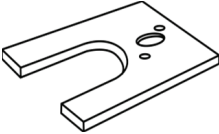
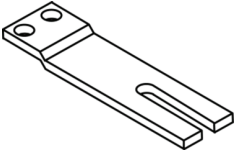
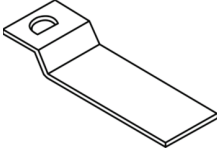
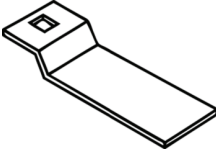
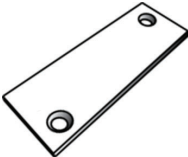
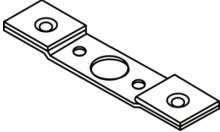
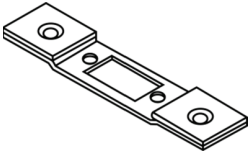


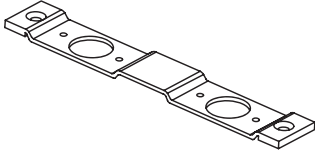
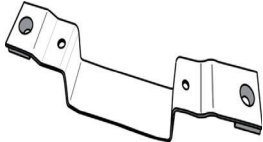
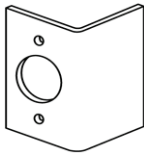
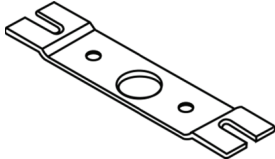
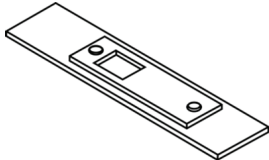
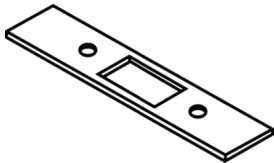
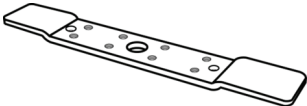
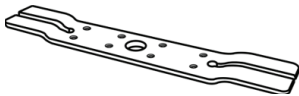
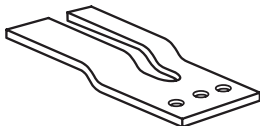


DKS ACCESSORIES LIST

ILLUSTRATION	ITEM#	DESCRIPTION	MASTER QTY	UNIT
HARDWARE REINFORCEMENT				
	ASATAB-7	4 7/8" Strike Reinforcement, Split Tail Dimensions: 1" x 2 1/2" Tab 3/32" Offset 12-24 Tap Thickness: 11 Ga. Finish: USP	750	EACH
	EDG-9	Exit Device Guide Dimensions: 1 3/8" x 2" 2 Holes 8-32 Tap Thickness: 10 Ga. Finish: Mill Finish	200	EACH
	FBTAB-6	Flush Bolt Tabs, Split Tail Dimensions: 1" x 2 1/2" 3/32" Offset 8-32 Tap 1/2" C/L for 1" Body Thickness: 11 Ga. Finish: USP	750	EACH
	FBGID-4	Flush Bolt Guide 5/16" Offset 1/2" D-Hole For Door Top & Bottom Thickness: 12 Ga. Finish: USP	200	EACH
	FBGIS-3	Flush Bolt Guide 5/16" Offset 1/2" Square-Hole For Door Top & Bottom Thickness: 12 Ga. Finish: Mill Finish	200	EACH
	FB STRIKE COVER PLATE	Flush Bolt Strike Cover Plate Dimensions: 1" X 6-3/4" X 0.12" Finish: Prime Coat	200	EACH
	MLCYL-3	Conversion Assembly Mortise Lock to Cylindrical Lock Dimensions: 1 1/4" x 8" 3/8" Off Center Face Plate: 1 1/8" x 2 1/4" Thickness: 12 Ga. Finish: Dichromate Plating	100	EACH
	MLASA-4	Conversion Assembly Mortise Lock to 4 7/8" Strike Dimensions: 1 1/4" x 8" 3/8" Off Center Face Plate: 1 1/8" x 2 1/4" Thickness: 12 Ga. Finish: Dichromate Plating	100	EACH



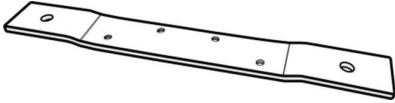

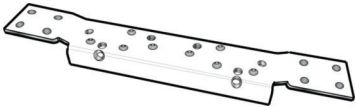
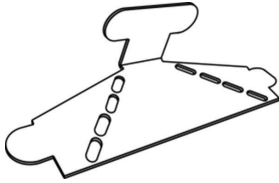
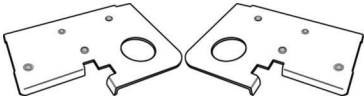
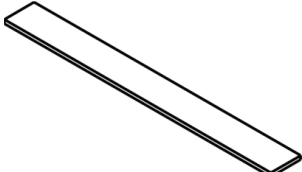


DKS ACCESSORIES LIST

ILLUSTRATION	ITEM#	DESCRIPTION	MASTER QTY	UNIT
	INTCL	Interconnected Lock Reinforcement Dimensions: 1 1/4" x 8" x 3/32" Thickness: 12 Ga. Finish: USP	100	EACH
	CFP-34	86 to ASA Conversion Filler Plate Converts 86 edge to ASA strike Finish: Mill Finish	150	EACH
	DBCONV-2	Dead Lock Reinforcement Plate for 1 3/4" Doors Dimensions: 2 3/16" x 1 3/8" x 1 9/16" Thickness: 14 Ga. Finish: Mill Finish	100	EACH
	DBLAT-1	Cylindrical Lock – Dead Lock, Split Tail Dimensions: 1 1/4" x 4 1/2" 3/32" Offset 1" Hole 8-32 Tap Thickness: 12 Ga. Finish: USP	300	EACH
	FLUSHSTRK-2	Reversible Flush Bolt Strike with Backing Plate Dimensions: 1 1/8" x 3 3/4" 3/32" Offset 8-32 Tap Thickness: 16 Ga. Finish: Dichromate Plating	200	EACH
	TSTRK-2	2 3/4" Strike Reinforcement (for frame and door) Dimensions: 1" x 2 1/2" 7/8" x 1 1/4" Hole 8-32 Tap Thickness: 12 Ga. Finish: Dichromate Plating	200	EACH
	FRHR-1	4 1/2" Frame Hinge Reinforcement Use: 4 1/2" hinges Dimensions: 3/16" x 1 1/4" x 8" Thickness: 10 Ga.	250	EACH
	DHRF-825	4 1/2" Door Hinge Reinforcement, Split Tail Use: 4 1/2" hinges Dimensions: 3/16" x 1 1/4" x 8" Thickness: 10 Ga.	250	EACH
	GTAB-13	EPT Reinforcement Plate Dimensions: 2" x 1 1/8" Split Tail 3/16" Offset, 3mm thick 10-24 Thread Finish: USP	500	EACH

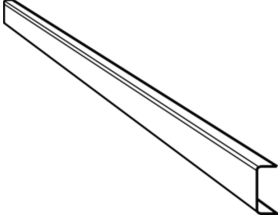
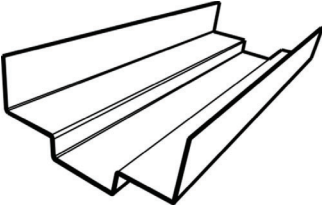
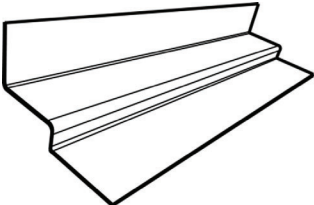
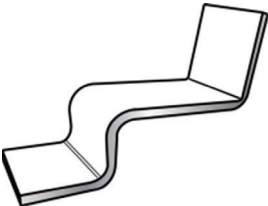
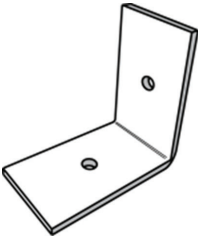
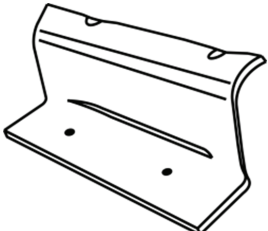


DKS ACCESSORIES LIST

ILLUSTRATION	ITEM#	DESCRIPTION	MASTER QTY	UNIT
	HSADJ-516	Slotted Screws for non-handed adjustment on hinge reinforcement Size: 12-24 thread Length: 5/16" Qty: 1 pc	1000	EACH
	HR-U	Universal Hinge Reinforcement for both doors and frames Use: 4 1/2" hinges Dimensions: 1 1/4" x 8 3/4" Thickness: 10 Ga. Finish: Mill Finish	80	EACH
	HR-HD50	Heavy Duty Hinge Reinforcement Use: 5" hinges Dimensions: 1 1/4" x 10" Thickness: 7 Ga. Finish: Mill Finish	25	EACH
	HR-HD45	Heavy Duty Hinge Reinforcement Use: 4 1/2" hinges Dimensions: 1 1/4" x 10" Thickness: 7 Ga. Finish: Mill Finish	200	EACH
	DHR-29	Convertible Hi-Frequency Door Hinge Reinforcement to be used for both doors and frames Use: 4 1/2" hinges Dimensions: 1 1/4" x 8 3/4" Thickness: 10 Ga. Finish: Mill Finish	80	EACH
	CBRKT-26	Corner Bracket Frames Finish: Mill Finish	250	EACH
	C-BRKT (Left) C-BRKR (Right)	Handed Corner Bracket / Frame For LH or RH Finish: Mill Finish	200	EACH
	CRO1	Closer Reinforcement Dimensions: 1 3/4" x 14" Thickness: 12 Ga. Finish: Mill Finish	50	EACH

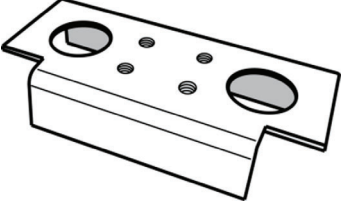
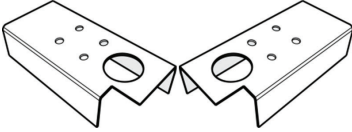


DKS ACCESSORIES LIST

ILLUSTRATION	ITEM#	DESCRIPTION	MARTER QTY	UNIT
	DC-8	C Channel Door / Framing channel for reinforcing steel doors in listed glass frame Sold in lengths of 8' and can be cut to size Dimensions: 1 3/4" x 3/4" x 3/4" x 8' Thickness: 0.053 in. (16 gauge)	10	EACH
	CRFP-30	Full Profile Closer Reinforcement 14" Long for 5 3/4" frame depth Finish: Mill Finish	20	EACH
	CRHP-31	Half Profile Closer Reinforcement for unequal rabbet 14" long Finish: Mill Finish	20	EACH
	RCLIP-32	Reinforcing Clip High frequency clip Finish: Finish	100	EACH
	MCLIP-33	Mounting Clip for transom panel Finish: Mill Finish	200	EACH
	M-BRKT	Mullion Bracket Finish: Mill Finish	500	EACH



DKS ACCESSORIES LIST

ILLUSTRATION	ITEM#	DESCRIPTION	MASTER QTY	UNIT
	FBDG-LR	Flush Bolt Door Guide (Reversible) 4 x 8-32 Thread Finish: USP	150	EACH
	FBDG-LH (Left) FBDG-RH (Right)	Handed Flush Bolt Door Guide 4 x 8-32 Thread Finish: Mill Finish (Left) USP (Right)	100	EACH