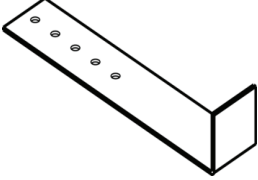
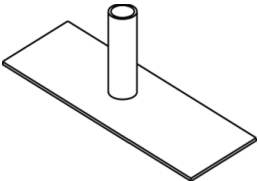
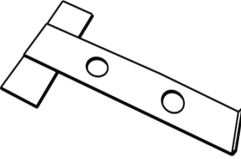
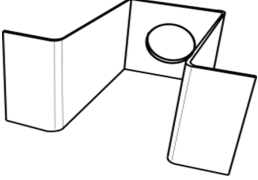
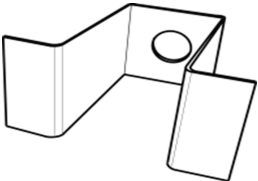
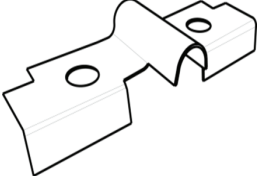
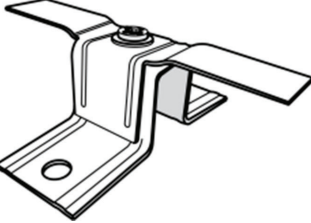




DKS ACCESSORIES

ILLUSTRATION	ITEM#	DESCRIPTION	MASTER QTY
ANCHORS			
	SAC-5	Strap Anchor Dimensions: 1"W x 1"H x 5"L Five 3/16" Nailing Holes Thickness: 18 Ga. Finish: Dichromate Plating	400
	MAS575-4	for 5 1/4" Unequal Rabbet	200
	MAS625-6	for 6 1/4" Unequal Rabbet	
	MAS675-3	for 6 3/4" Unequal Rabbet	Masonry Tube Anchor 3/4" EMT Tubing 2" Strap Width Thickness: 16 Ga. Finish: USP
	MAS775-2	for 7 3/4" Unequal Rabbet	
	MAS825-5	for 8 1/4" Unequal Rabbet	
	MAS875-1	for 8 3/4" Unequal Rabbet	
	MAS875-1	for 8 3/4" Unequal Rabbet	
	TANC5581	for 5 3/4" Frame	Masonry Tee Anchor 1" Round Holes 1/4" Locking Flange Thickness: 16 Ga. Finish: Mill Finish
	TANC6584	for 6 3/4" Frame	
	TANC7583	for 7 3/4" Frame	
	TANC8582	for 8 3/4" Frame	
	EX-BOLT	Expansion Bolt Anchor 1" Dia. Hole Finish: Mill Finish	per order
	EX-BOLT-58	Expansion Bolt Anchor 5/8" Dia. Hole Finish: Mill Finish	per order
	EMA-634	Existing Masonry Anchor for 4 3/4" - 6 3/4" Frames Best for existing wall applications Finish: Mill Finish	100
	PRECLAM-8	Drywall Compression Anchor 1/4" - 20 x 1" Machine Screw Finish: Mill Finish	100



DKS ACCESSORIES

ILLUSTRATION	ITEM#	DESCRIPTION	MASTER QTY
	WS475 for 4 3/4" Frame		400
	WS575 for 5 3/4" Frame		300
	WS625 for 6 1/4" Frame		200
	WS675 for 6 3/4" Frame		200
	WS7125 for 7 1/8" Frame		200
	WS775 for 7 3/4" Frame		200
	WS825 for 8 1/4" Frame	Wood Stud Anchor, Welded Type	200
	WS875 for 8 3/4" Frame	Thickness: 18 Ga. Finish: Mill Finish	200
	WS925 for 9 1/4" Frame		150
	WS975 for 9 3/4" Frame		100
	WS1025 for 10 1/4" Frame		100
	WS1075 for 10 3/4" Frame		100
	MPESA-15	Multi-Purpose Stud Anchor for Double Egress Frame Fits standard double egress sizes Finish: Mill Finish	per order
	MPAA-10	Multi- Purpose Adjustable Anchor Can be used as a single 8 3/4" wood / metal stud or complete opening anchor. A single part can be used as 5 3/4" anchor. Finish: USP	50 SOLD PER PAIR ONLY
	HDADWA	Heavy Duty Adjustable Drywall Anchor Thickness: 18 Ga. Fits frame sizes: 5 3/4" to 8 3/4" Finish: USP	100 SOLD PER PAIR ONLY
	LADWA-11	Large Adjustable Drywall Anchor Thickness: 18 Ga. Fits frame sizes: 7" to 12" Anchor marked with different frame sizes Finish: USP	100 SOLD PER PAIR ONLY



DKS ACCESSORIES

ILLUSTRATION	ITEM#	DESCRIPTION	MASTER QTY
	ADWA-12	Adjustable Drywall Anchors (2 per set) For 4 3/4" to 6 3/4" frames Finish: USP	100 SOLD PER PAIR ONLY
	MAS01	Wire Masonry Anchor	400
	SS575 for 5 3/4" Frame SS775 for 7 3/4" Frame SS825 for 8 3/4" Frame	Steel Stud Anchor Welded Type Thickness: 18 Ga. Finish: Mill Finish	500
	SFA-834	Sidelite Floor Anchor Fits frame size 5 3/4" Finish: USP	100
	AFANC-22	Adjustable Floor Anchor Thickness: 16 Ga. Finish: Mill Finish	per order
	FA-L	Large Floor Anchor from 7 3/4" to 9 3/4" Thickness: 18 Ga. Finish: USP	200
	FA-S	Small Floor Anchor from 4 3/4" to 6 3/4" Thickness: 18 Ga. Finish: USP	200
	FA-HD	Heavy Duty Floor Anchor Dimensions: 5 1/4"W x 2 3/8"H Finish: USP	100



DKS ACCESSORIES

ILLUSTRATION	ITEM#	DESCRIPTION	MASTER QTY
	RMC-13	Removable Mullion Clip Finish: Mill Finish	100
	AMBA-14	Adjustable Mullion Base Anchor Fits frames from 4 3/4" to 8 3/4" (2 pieces per set) Finish: Mill Finish	100
	TB-14	Thru-Bolt 1/4" Dia. for doors 1 3/4" or less. Best used for latch protectors, door savers, louvers, etc... Finish: Mill Finish	500
	DY-5	Stud Dynabolt Anchor 5" Long x 3/8" Dia. Finish: Zinc Plated	400 (100 inner box)
	SBA-438	Stud Bolt Anchor 4" Long x 3/8" Dia. Finish: Zinc Plated	300
	SBA-382	Stud Bolt Anchor 3" Long x 3/8" Dia. Finish: Zinc Plated	300
	WSA-4	Wood Lag Screws 4" Long x 3/8" Dia. Finish: Mill Finish	300
	WD-6	Wood Lag Screws 6" Long x 3/8" Dia. Finish: Zinc Plated	400 (100 inner box)
	PPB-16	3/4" Plastic Plug Button	1000