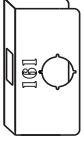
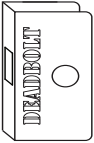


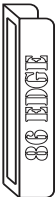

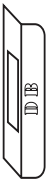




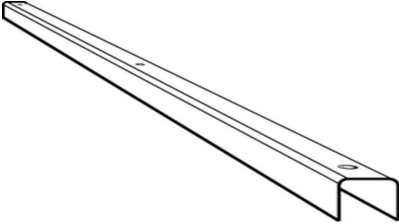
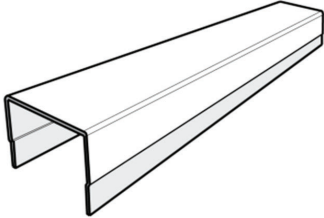
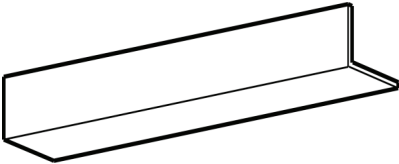
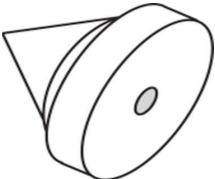


# DKS ACCESSORIES

| ILLUSTRATION  | ITEM#     | DESCRIPTION   | MASTER QTY |
|---|-----------|---|------------|
| <b>MISCELLANEOUS</b>  |           |   |            |
|    | DORT-161  | 161 Door Template<br>Create a quick and precise 2 1/8" bore and latch prep using this template                                | 1          |
|    | DORT-DB   | Door Deadbolt Template<br>Create a quick and precise 1 1/2" bore and latch prep using this template                           | 1          |
|    | DORT-ASA  | Door ASA Template<br>Create a quick and precise 4 7/8" ASA cut-out on a door using this template                              | 1          |
|   | DORT-FBLT | Door Flush Bolt Template<br>Create a quick and precise 1" x 6 3/4" flush bolt cut-out on an inactive door using this template | 1          |
|  | DORT-86   | 86 Edge Template<br>Create a quick and precise 8" Mortise lock cut-out on a door using this template                          | 1          |
|  | FRMT-ASA  | Frame ASA Template<br>Create a quick and precise ASA cut-out on a frame using this template                                   | 1          |
|  | FRMT-DB   | Frame Deadbolt Template<br>Create a quick and precise deadbolt cut-out on a frame using this template                         | 1          |
|  | FRMT-FBLT | Frame Flush Bolt Template<br>Used to make accurate flush bolt cut-outs on a frame   | 1          |

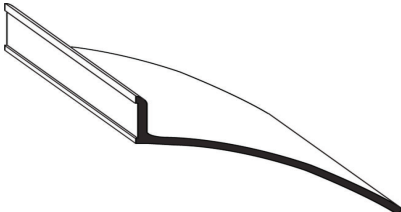
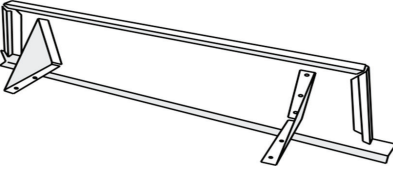
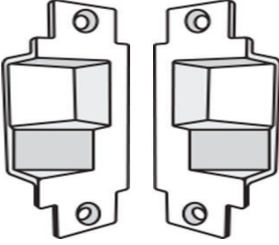



# DKS ACCESSORIES

| ILLUSTRATION  | ITEM#                                    | DESCRIPTION   | MASTER QTY     |
|---|--|---|----------------|
|    | HT412                                    | Hinge Template 4 1/2"<br>Create a quick and precise 4 1/2" hinge cut-out on a frame using this template                     | 1              |
|    | GS-22                                    | Glass Stop<br>Holes drilled at 7" centers<br>Dimensions: 5/8" x 5/8" x 10'<br>Packed with TEK screws<br>Finish: Zinc Plated | 15             |
|  | DREXT-18                                 | Door Extender<br>Dimensions:<br>1 3/4" W x 1 3/8" H x 36" L<br>Thickness: 16 Ga.<br>Finish: Mill Aluminum                   | 50             |
|  | <b>Spreader Bar</b><br>Thickness: 16 Ga. |   |                |
|   | SB36                                     | Dimensions: 3/4" W x 3/4" H x 36" L   | per order      |
|   | SB48                                     | Dimensions: 3/4" W x 3/4" H x 48" L   |                |
| SB72  | Dimensions: 3/4" W x 3/4" H x 72" L      |   |                |
|  | DSM21                                    | Door Silencer<br>Dimensions: 1/2" Dia. x 1 1/16" Length<br>Use: for Metal Frames  | 200<br>per bag |



# DKS ACCESSORIES

| ILLUSTRATION  | ITEM#   | DESCRIPTION  | MASTER QTY |
|---|---|--|------------|
|    | CR44640   | Door Frame Drip Cap<br>Length: 40"<br>Thickness: 18 Ga.<br>Finish: Mill Aluminum | 50         |
|   | DDS-21  | Dutch Door Shelf<br>Finish: Mill Aluminum  | 50         |
|  | OBSTRK-LH<br>(left hand)<br><br>OBSTRK-RH<br>(right hand) | Handed Open Back Strike<br>Finish: US32D   | 1          |
|  | SPCAN-82  | Prime Coat Spray Can   | 1          |