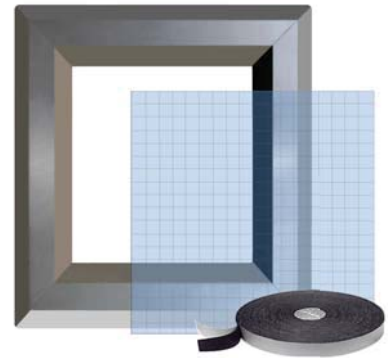
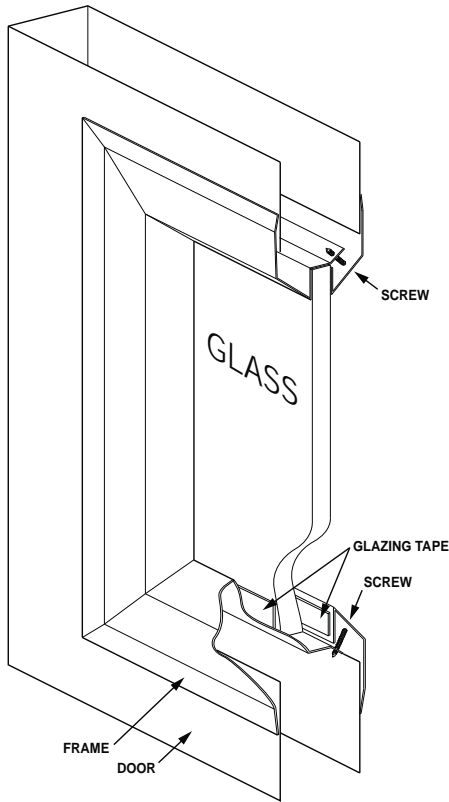


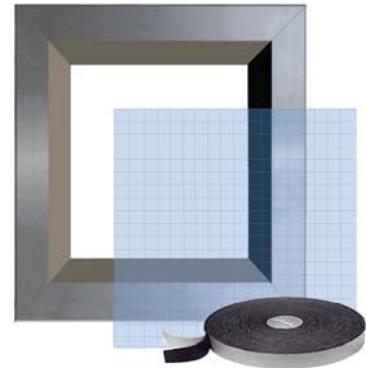


STEEL DOOR & FRAME SYSTEMS, INC.

Standard and Low Profile Vision Lite Kits
45-180 Minute Fire Rated
SVL & VL Series



LOW PROFILE SVL VISION LITE KITS



STANDARD PROFILE VL VISION LITE KITS

For use in Fire Rated door applications under positive and neutral pressure. Intertek testing certification in compliance to NFPA 252 (2000), UL 10C (2009), CAN/ULS104 (2010), NFPA (201) and CSI Code 0870 00

FRAME SPECIFICATIONS

- Standard and Low Profile Vision Lite Kits
- 20 Gauge Cold Rolled Steel
- Mitered welded corners with counter sunk mounting holes
- Single side attaching with matching mounting screws included
- For use with 3/16" to 1/4" glass thickness
- Designed for use with 1-3/4" doors only
- Baked on powder coat finish
- Color: Standard Bronze
- Fastener: #8 x 7/8" flathead phillips head SMS

NOTES

- Order size is equal to opening size
- Visible vision opening is 2" under order size
- Glass size dimension is 1" under complete order size
- Follow all door manufacturer's instructions for use and installation of all products.

GLAZING TAPE

- Standard 1/16" x 3/8" applied to both sides of glass

GLASS OPTIONS

WS (WireShield): 20 ga CRS (Cold Rolled Steel) beveled vision lite, 1/4" wired glass with film. Glass is UL labeled standard. Fire Rating: 20 minutes to 90 minutes. Install in fire listed and labeled vision frames. Use of glazing compound or glazing tape on both sides of glass is recommended to minimize breakage. Size: Minimum 4" x 4", max rated size: 36" x 84".

TEMP (Tempered): Heat-strengthened glass and cannot be cut after manufacturing. Fire Rating: None. Clear wire free glass recommended for non fire rated applications. Use of glazing compound or glazing tape on both sides of glass is recommended to minimize breakage. Size: Minimum 2" x 2", max sheet size: 88" x 118".

PPF (Pyran): Glass is UL labeled standard. Fire Rating: 20 minute to 3 hours. Install in fire listed and labeled vision frames. Use of glazing compound or glazing tape on both sides of glass is recommended to minimize breakage. Size: Minimum 4" x 6", max sheet size: 43" x 77".