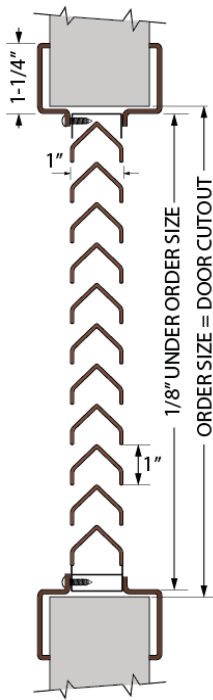


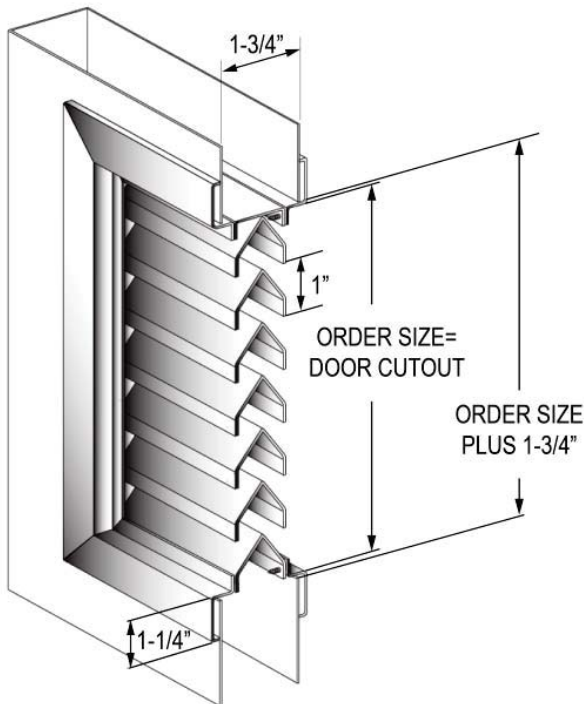
LOUVERS

VLV, INVERTED Y-BLADE LOUVERS

90 Minute Fire Rated Steel Louvers



- ▶ For use in Fire Rated door applications under positive and neutral pressure Intertek testing certification in compliance to NFPA 252 (2000), UL 10C (2009), NFPA 252 (2012), CSI CODE 089000 Louvers & Vents
- ▶ 18 Gauge cold rolled steel frame and blades
- ▶ Mitered welded corner frame construction
- ▶ Reverse "Y" blades are frame supported at 1" increments, with blocked vision design
- ▶ Single side mounting for non corridor exposure with fastening screws included
- ▶ Designed for use with 1-3/4" doors only
- ▶ Baked on powder coat finish
- ▶ Color: Standard Bronze
- ▶ Fasteners: Phillips head screws #8 x 3/4"



ITEM #	SIZES (DOOR CUTOUT) Width x Height	PCS/CTN
VLV1212	12" x 12"	4
VLV1218	12" x 18"	2
VLV1224	12" x 24"	2
VLV1812	18" x 12"	2
VLV1818 *	18" x 18"	2
VLV1824 *	18" x 24"	2
VLV1860 *	18" x 60"	2
VLV1864 *	18" x 64"	2
VLV2010	20" x 10"	2
VLV2412	24" x 12"	2
VLV2418 *	24" x 18"	2
VLV2424 *	24" x 24"	1
VLV2460 *	24" x 60"	2
VLV2464 *	24" x 64"	2

* Shaded Items are Non-Fire Rated.

See Lites & Louvers Intertek Certification for detailed information on Fire Ratings.
Or visit: <http://www.dksdoors.com/pdf/lites/louverscertification.pdf>

DKS Steel Door and Frame Systems, Inc.

2142 Tubeway Ave., Commerce CA USA 90040
Tel: (323) 888-7763 ♦ Fax: (323) 888-0063
Email: sales@dksdoors.com ♦ Website: www.dksdoors.com

