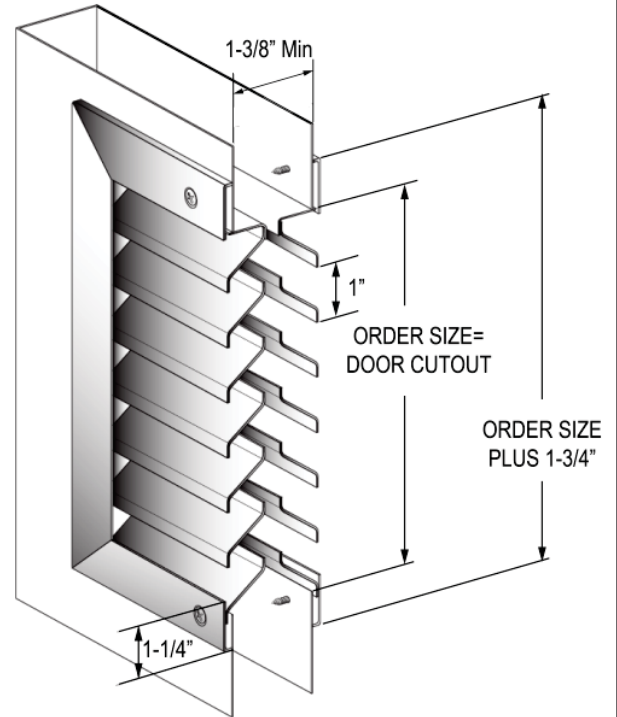
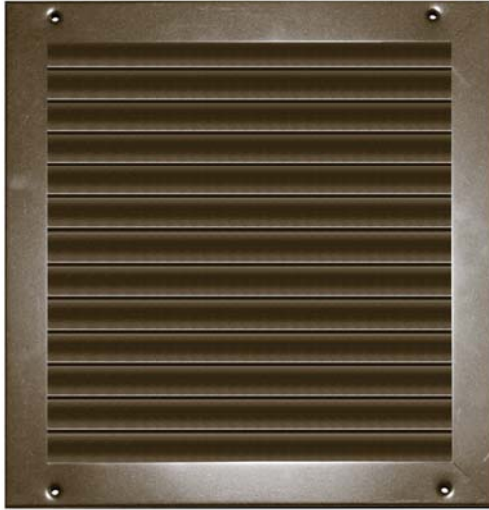




STEEL DOOR & FRAME SYSTEMS, INC.

Divided Reverse "Y" Blade Louvers  
90 Minute Fire Rated  
YLV Series



For use in Fire Rated door applications under positive and neutral pressure. Intertek testing certification in compliance to NFPA 252 (2000), UL 10C (2009), NFPA 252(2012) and CSI Code 089000 Louvers & Vents

**SPECIFICATIONS**

- 18 Gauge Cold Rolled Steel Frame & Blades
- Mitered welded corner frame construction
- Divided row "Y" blades spaced at 1" increments with blocked vision design
- Counter sunk mounting holes with screws for each side of the door
- Minimum door size thickness: 1-3/8"
- Baked on powder coat finish
- Color: Standard Bronze
- Fastener: Phillips head screws #8 x 3/4"

**NOTES**

- Order size is equal to opening size
- Follow all door manufacturer's instructions for use and installation of all products.

