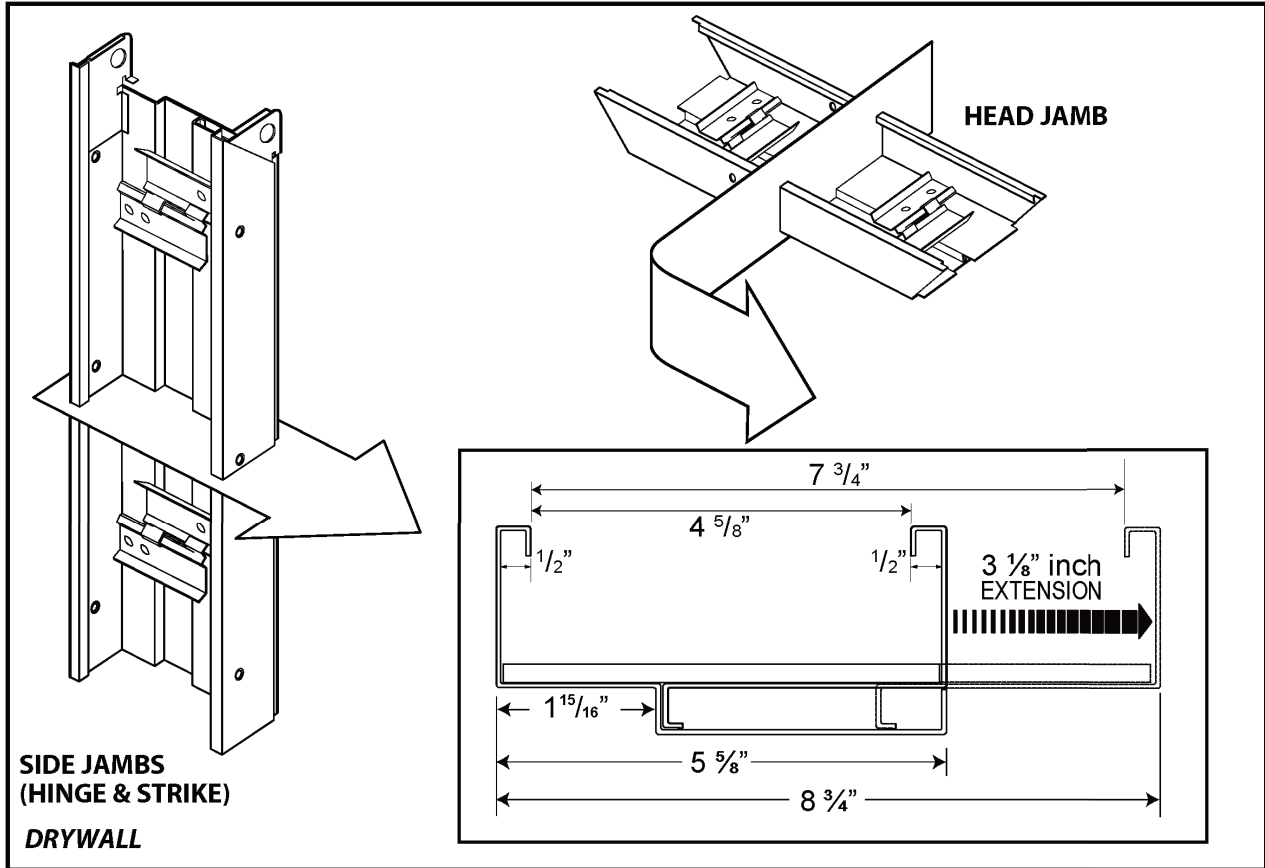


## 16 GAUGE GALVANIZED

### 4.625" to 7.75" Depth Expandable Drywall Frame

90 Minutes WHI



| COMPLETE FRAME SIZES       |       |        |
|----------------------------|-------|--------|
|                            | WIDTH | HEIGHT |
| S<br>I<br>N<br>G<br>L<br>E | 3'0"  | 6'8"   |
|                            |       | 7'0"   |
|                            |       | 8'0"   |
|                            | 3'6"  | 6'8"   |
|                            |       | 7'0"   |
|                            |       | 8'0"   |
|                            | 4'0"  | 6'8"   |
|                            |       | 7'0"   |
| 8'0"                       |       |        |
| P<br>A<br>I<br>R           | 6'0"  | 6'8"   |
|                            |       | 7'0"   |
|                            |       | 8'0"   |

| FRAME COMPONENTS |        |
|------------------|--------|
| PART             | LENGTH |
| HINGE JAMB       | 6'8"   |
|                  | 7'0"   |
|                  | 8'0"   |
|                  | 8'0"   |
| STRIKE JAMB      | 6'8"   |
|                  | 7'0"   |
|                  | 8'0"   |
| SINGLE HEAD      | 3'0"   |
|                  | 3'6"   |
|                  | 4'0"   |
| PAIR HEAD        | 6'0"   |

| HOW TO ORDER  |  |      |
|---|--|------|
| Example: 3070 Part # 5625 (5.625" to 8.75") Expandable Drywall Right Hand Frame |  |      |
| TYPE  | SIZE   | PART |
| XDW   | 305625   | H    |
| XDW   | 705625   | HJR  |
| XDW   | 705625   | SJR  |
| TYPE  | XDW (Expandable Drywall)   |      |
| SIZE  | Width / Height   |      |
| PART  | H (Head),<br>HJ (Hinge Jamb Right or Left),<br>SJ (Strike Jamb Right or Left),<br>PR (Pair Head) |      |

VER. 5.2 REV. 10/18  
© 2018 **DKS**