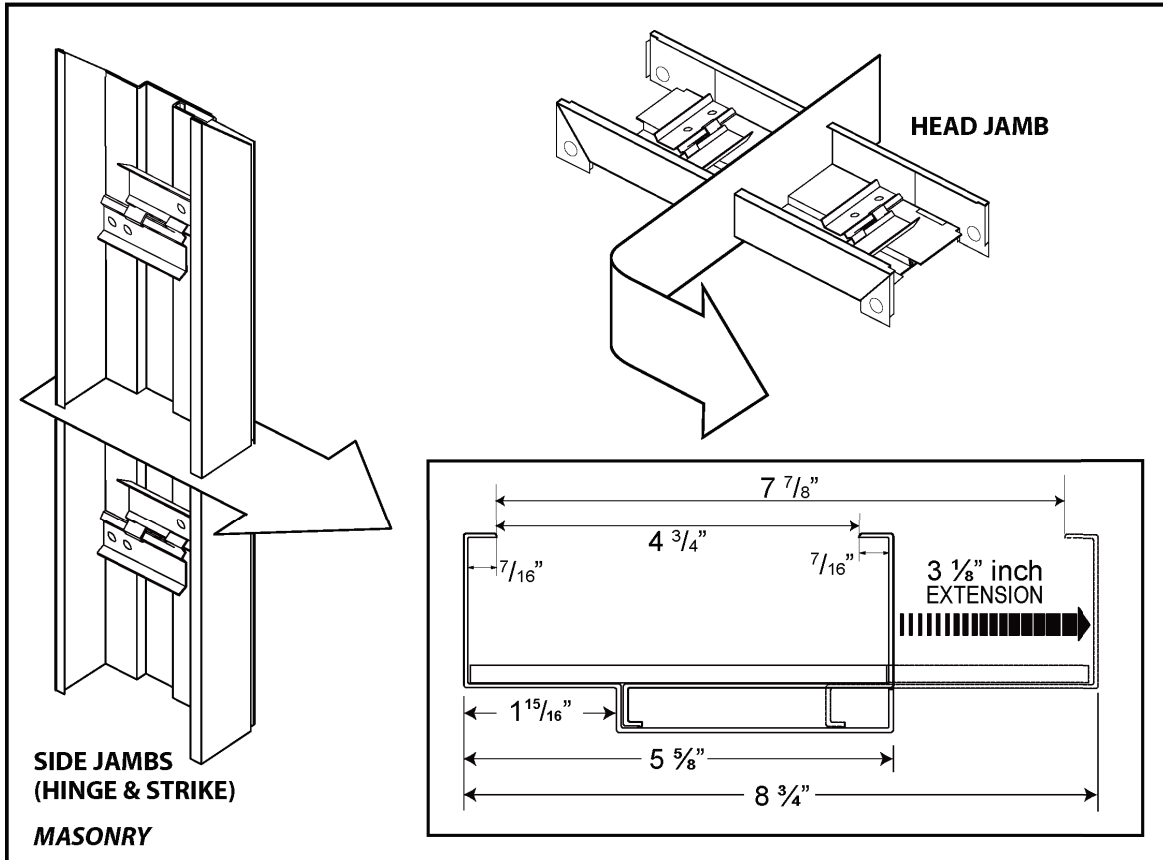


16 GAUGE GALVANIZED

4.75" to 7.875" Depth Expandable Masonry Frame 90 Minutes WHI



COMPLETE FRAME SIZES		
	WIDTH	HEIGHT
S I N G L E	3'0"	6'8"
		7'0"
		8'0"
	3'6"	6'8"
		7'0"
		8'0"
P A I R	6'0"	6'8"
		7'0"
		8'0"

FRAME COMPONENTS	
PART	LENGTH
HINGE JAMB	6'8"
	7'0"
	8'0"
STRIKE JAMB	6'8"
	7'0"
	8'0"
SINGLE HEAD	3'0"
	3'6"
	4'0"
PAIR HEAD	6'0"

HOW TO ORDER		
Example: 3070 Part # 5625 (5.625" to 8.75") Expandable Masonry Right Hand Frame		
TYPE	SIZE	PART
X	305625	H
X	705625	HJR
X	705625	SJR
TYPE	X (Expandable Masonry)	
SIZE	Width / Height	
PART	H (Head), HJ (Hinge Jamb Right or Left), SJ (Strike Jamb Right or Left), PR (Pair Head)	