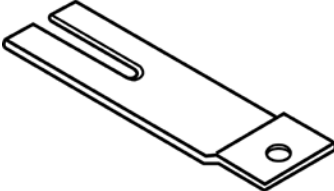
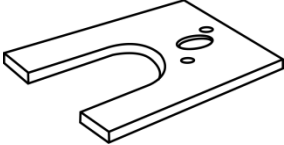
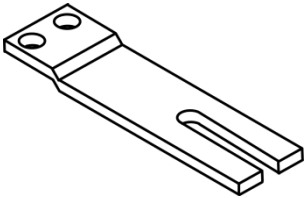
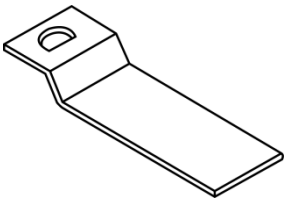
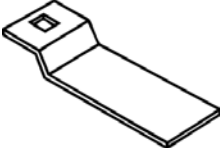
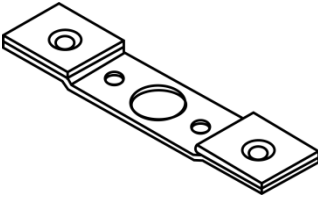
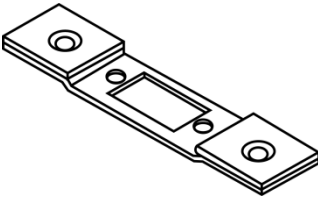

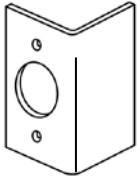
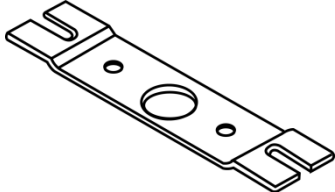
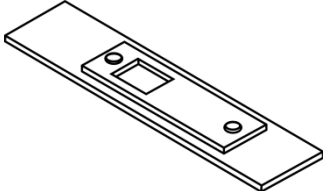
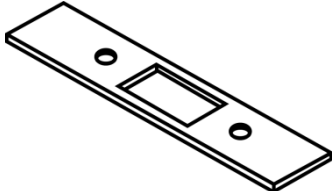
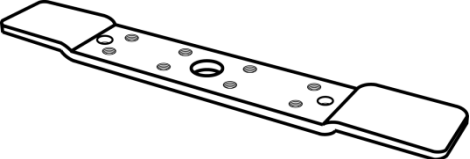
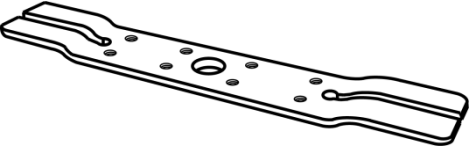




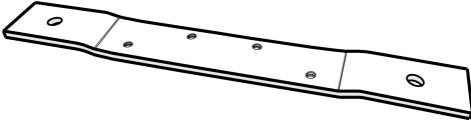

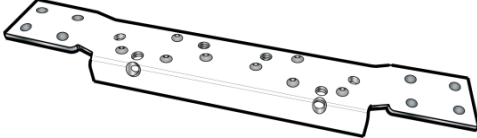
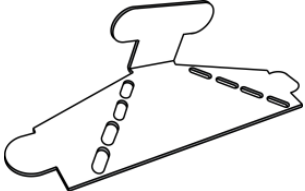
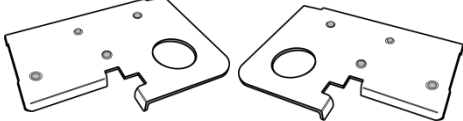
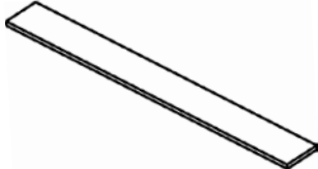
DKS ACCESSORIES

ILLUSTRATION	ITEM #	DESCRIPTION
	ASATAB-7	<p>4 7/8" Strike Reinforcement, Split Tail Can be used for FED 86 Dimensions: 1" x 2 1/2" Tab 3/32" Offset 12-24 Tap Thickness: 11 Ga.</p>
	EDG-9	<p>Exit Device Guide Dimensions: 1 3/8" x 2" 2 Holes 8-32 Tap Thickness: 10 Ga.</p>
	FBTAB-6	<p>Flush Bolt Tabs, Split Tail Dimensions: 1" x 2 1/2" 3/32" Offset 8-32 Tap 1/2" C/L for 1" Body Thickness: 11 Ga.</p>
	FBGID-4	<p>Flush Bolt Guide 5/16" Offset 1/2" D-Hole For Door Top & Bottom Thickness: 12 Ga.</p>
	FBGIS-3	<p>Flush Bolt Guide 5/16" Offset 1/2" Square-Hole For Door Top & Bottom Thickness: 12 Ga.</p>
	MLCYL-3	<p>Conversion Assembly Mortise Lock to Cylindrical Lock Dimensions: 1 1/4" x 8" 3/8" Off Center Face Plate: 1 1/8" x 2 1/4" Thickness: 12 Ga.</p>
	MLASA-4	<p>Conversion Assembly Mortise Lock to 4 7/8" Strike Dimensions: 1 1/4" x 8" 3/8" Off Center Face Plate: 1 1/8" x 2 1/4" Thickness: 12 Ga.</p>

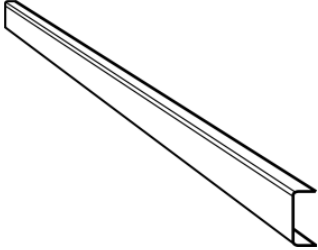
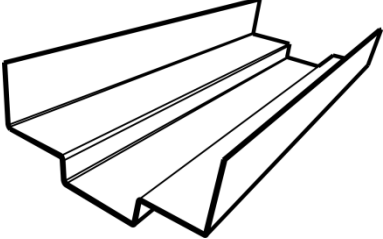
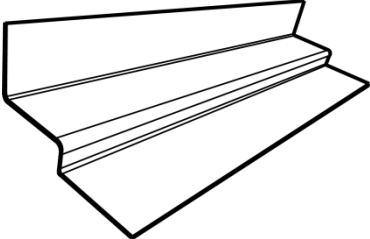
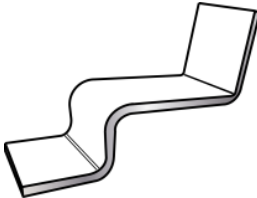
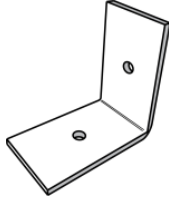
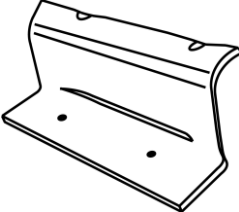
DKS ACCESSORIES

ILLUSTRATION	ITEM #	DESCRIPTION
	CFP-34	86 to ASA Conversion Filler Plate Converts 86 edge to ASA strike
	DBCONV-2	Dead Lock Reinforcement Plate for 1 3/4" Doors Dimensions: 2 3/16" x 1 3/8" x 1 9/16" Thickness: 14 Ga.
	DBLAT-1	Cylindrical Lock – Dead Lock, Split Tail Dimensions: 1 1/4" x 4 1/2", 3/32" offset 1" Hole, 8-32 Tap Thickness: 12 Ga.
	FLUSHSTRK-2	Reversible Flush Bolt Strike With Backing Plate Dimensions: 1 1/8" x 3 3/4", 3/32" Offset 8-32 Tap Thickness: 16 Ga.
	TSTRK-2	2 3/4" Strike Reinforcement (frame & door) Dimensions: 1" x 2 1/2" 7/8" x 1 1/4" Hole 8-32 Tap Thickness: 12 Ga.
	FRHR-1	4 1/2" Frame Hinge Reinforcement (Door/Frame) Use: For 4 1/2" hinges Dimensions: 3/16" x 1 1/4" x 8" Thickness: 10 Ga.
	DHRF-825	4 1/2" Door Hinge Reinforcement, Split Tail Use: For 4 1/2" hinges Dimensions: 3/16" x 1 1/4" x 8" Thickness: 10 Ga.

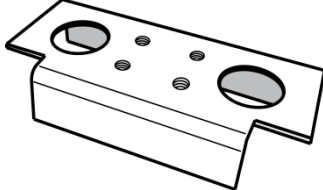
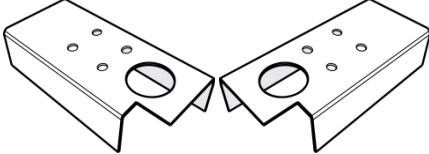
DKS ACCESSORIES

ILLUSTRATION	ITEM #	DESCRIPTION
	HSADJ-516	Slotted screws for non-handed adjustment on hinge reinforcement Size: 12-24 Thread Length: 5/16" Qty: 1 pc
	HR-U	Universal Hinge Reinforcement For both doors and frames Use: For 4 1/2" hinges Dimensions: 1 1/4" x 8 3/4" Thickness: 10 Ga.
	HR-HD50	Heavy Duty Hinge Reinforcement Use: For 5" hinges Dimensions: 1 1/4" x 10" Thickness: 7 Ga.
	HR-HD45	Heavy Duty Hinge Reinforcement Use: For 4 1/2" hinges Dimensions: 1 1/4" x 10" Thickness: 7 Ga.
	DHR-29	Convertible Hi-Frequency Door Hinge Reinforcement To be used for both doors and frames Use: For 4 1/2" hinges Dimensions: 1 1/4" x 8 3/4" Thickness: 10 Ga.
	CBRKT-26	Corner Bracket Frames
	C-BRKTL (Left) C-BRKTR (Right)	Handed Corner Bracket/Frame For LH or RH
	CRO1	Closer Reinforcement Dimensions: 1 3/4" x 16" Thickness: 12 Ga.

DKS ACCESSORIES

ILLUSTRATION	ITEM #	DESCRIPTION
	DC-10	<p>C Channel Door / Framing channel for reinforcing steel doors in listed glass frame Sold in lengths of 10' and can be cut to size Dimensions: 1 3/4" x 3/4" x 10' Thickness: 0.053 in. (16 gauge)</p>
	CRFP-30	<p>Full Profile Closer Reinforcement 14" Long for 5 3/4" frame depth</p>
	CRHP-31	<p>Half Profile Closer Reinforcement for unequal rabbet 14" long</p>
	RCLIP-32	<p>Reinforcing Clip High frequency clip</p>
	MCLIP-33	<p>Mounting Clip For transom panel</p>
	M-BRKT	<p>Mullion Bracket</p>

DKS ACCESSORIES

ILLUSTRATION	ITEM #	DESCRIPTION
	FBDG-LR	Flush Bolt Door Guide (Reversible) 4 x 8-32 Thread
	FBDG-LH (Left) FBDG-RH (Right)	Handed Flush Bolt Door Guide 4 x 8-32 Thread